

**Operating instructions**  
**Betriebsanleitung**  
**Mode d'emploi**  
**Manual de instrucciones**

<b>Pressure transmitter model S-20</b>	<b>GB</b>
<b>Druckmessumformer Typ S-20</b>	<b>D</b>
<b>Transmetteur de pression type S-20</b>	<b>F</b>
<b>Transmisor de presión modelo S-20</b>	<b>E</b>



**Pressure transmitter model S-20**



**Part of your business**

<b>GB</b>	<b>Operating instructions model S-20</b>	<b>Page</b>	<b>3 - 24</b>
<b>D</b>	<b>Betriebsanleitung Typ S-20</b>	<b>Seite</b>	<b>25 - 48</b>
<b>F</b>	<b>Mode d'emploi type S-20</b>	<b>Page</b>	<b>49 - 70</b>
<b>E</b>	<b>Manual de instrucciones modelo S-20</b>	<b>Página</b>	<b>71 - 93</b>

© 2013 WIKA Alexander Wiegand SE & Co. KG  
 All rights reserved. / Alle Rechte vorbehalten.  
 WIKA® is a registered trademark in various countries.  
 WIKA® ist eine geschützte Marke in verschiedenen Ländern.

Prior to starting any work, read the operating instructions!  
 Keep for later use!

Vor Beginn aller Arbeiten Betriebsanleitung lesen!  
 Zum späteren Gebrauch aufbewahren!

Lire le mode d'emploi avant de commencer toute opération !  
 A conserver pour une utilisation ultérieure !

¡Leer el manual de instrucciones antes de comenzar cualquier trabajo!  
 ¡Guardar el manual para una eventual consulta!

**Contents**

# Contents

**GB**

<b>1. General information</b>	<b>4</b>
<b>2. Safety</b>	<b>6</b>
<b>3. Specifications</b>	<b>9</b>
<b>4. Design and function</b>	<b>13</b>
<b>5. Transport, packaging and storage</b>	<b>14</b>
<b>6. Commissioning, operation</b>	<b>15</b>
<b>7. Zero point adjustment</b>	<b>20</b>
<b>8. Maintenance and cleaning</b>	<b>21</b>
<b>9. Faults</b>	<b>22</b>
<b>10. Dismounting, return and disposal</b>	<b>23</b>
<b>Appendix 1: EC Declaration of conformity model S-20</b>	<b>47</b>

Declarations of conformity can be found online at [www.wika.com](http://www.wika.com).

WIKA operating instructions pressure transmitter, model S-20

3

1-4043170-01 04/2013 GB/ID/FE

## 1. General information

### 1. General information

**GB**

- The pressure transmitter described in the operating instructions has been designed and manufactured using state-of-the-art technology.  
All components are subject to stringent quality and environmental criteria during production. Our management systems are certified to ISO 9001 and ISO 14001.
- These operating instructions contain important information on handling the instrument. Working safely requires that all safety instructions and work instructions are observed.
- Observe the relevant local accident prevention regulations and general safety regulations for the instrument's range of use.
- The operating instructions are part of the product and must be kept in the immediate vicinity of the instrument and readily accessible to skilled personnel at any time.
- Skilled personnel must have carefully read and understood the operating instructions prior to beginning any work.
- The manufacturer's liability is void in the event of any damage caused by using the product contrary to its intended use, non-compliance with these operating instructions, assignment of insufficiently qualified skilled personnel or unauthorised modifications to the instrument.
- The general terms and conditions contained in the sales documentation shall apply.
- Subject to technical modifications.
- Further information:
  - Internet address: [www.wika.de / www.wika.com](http://www.wika.de / www.wika.com)
  - Relevant data sheet: PE 81.61
  - Application consultant: Tel.: (+49) 9372/132-8976  
Fax: (+49) 9372/132-8008976  
E-mail: [support-tronic@wika.de](mailto:support-tronic@wika.de)



## 1. General information

### Explanation of symbols

**WARNING!**

... indicates a potentially dangerous situation that can result in serious injury or death, if not avoided.

**CAUTION!**

... indicates a potentially dangerous situation that can result in light injuries or damage to the equipment or the environment, if not avoided.

**Information**

... points out useful tips, recommendations and information for efficient and trouble-free operation.

**WARNING!**

... indicates a potentially dangerous situation that can result in burns, caused by hot surfaces or liquids, if not avoided.

**GB**

### Abbreviations

2-wire	The two connection lines are used for the voltage supply. The measurement signal also provides the supply current.
3-wire	Two connection lines are used for the power supply. One connection line is used for the measurement signal.
$U_B$	Positive power supply terminal
0V	Negative power supply terminal
$S_+$	Positive output terminal

1-4043170.01.04/2013 GB/D/F/E

## 2. Safety

### 2. Safety

GB

**WARNING!**

Before installation, commissioning and operation, ensure that the appropriate pressure transmitter has been selected in terms of measuring range, design and specific measuring conditions. Non-observance can result in serious injury and/or damage to the equipment.

**WARNING!**

- Open the connections only after the system has been depressurised.
- Observe the working conditions in accordance with chapter 3 "Specifications".



Further important safety instructions can be found in the individual chapters of these operating instructions.

**2.1 Intended use**

The pressure transmitter is used to convert pressure into an electrical signal.

With hydrogen applications, use is only permitted when a medium and ambient temperature of 30 °C is not exceeded.

For applications with direct contact with foodstuffs this pressure transmitter is not suitable.

The instrument has been designed and built solely for the intended use described here, and may only be used accordingly.

The technical specifications contained in these operating instructions must be observed. Improper handling or operation of the pressure transmitter outside of its technical specifications requires the instrument to be taken out of service immediately and inspected by an authorised WIKA service engineer.

The manufacturer shall not be liable for claims of any type based on operation contrary to the intended use.

## 2. Safety

### 2.2 Personnel qualification

**WARNING!****Risk of injury should qualification be insufficient!**

Improper handling can result in considerable injury and damage to equipment.

The activities described in these operating instructions may only be carried out by skilled personnel who have the qualifications described below.

**GB****Skilled personnel**

Skilled personnel are understood to be personnel who, based on their technical training, knowledge of measurement and control technology and on their experience and knowledge of country-specific regulations, current standards and directives, are capable of carrying out the work described and independently recognising potential hazards.

Special operating conditions require further appropriate knowledge, e.g. of aggressive media.

### 2.3 Special hazards

**WARNING!**

For hazardous media such as oxygen, acetylene, flammable or toxic gases or liquids, and refrigeration plants, compressors, etc., in addition to all standard regulations, the appropriate existing codes or regulations must also be followed.

**WARNING!**

Residual media in dismantled pressure transmitters can result in a risk to persons, the environment and equipment.

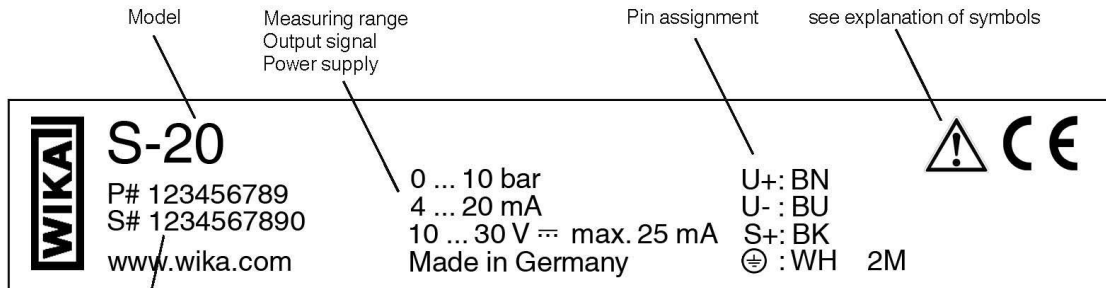
Take sufficient precautionary measures.

## 2. Safety

### 2.4 Labelling / safety marks

#### Product label

GB



P# product number  
S# serial number

If the serial number becomes illegible due to mechanical damage or overpainting, traceability will no longer be possible.

#### Explanation of symbols



CE, Communauté Européenne  
Instruments bearing this mark comply with the relevant European directives.

## 3. Specifications

### 3. Specifications

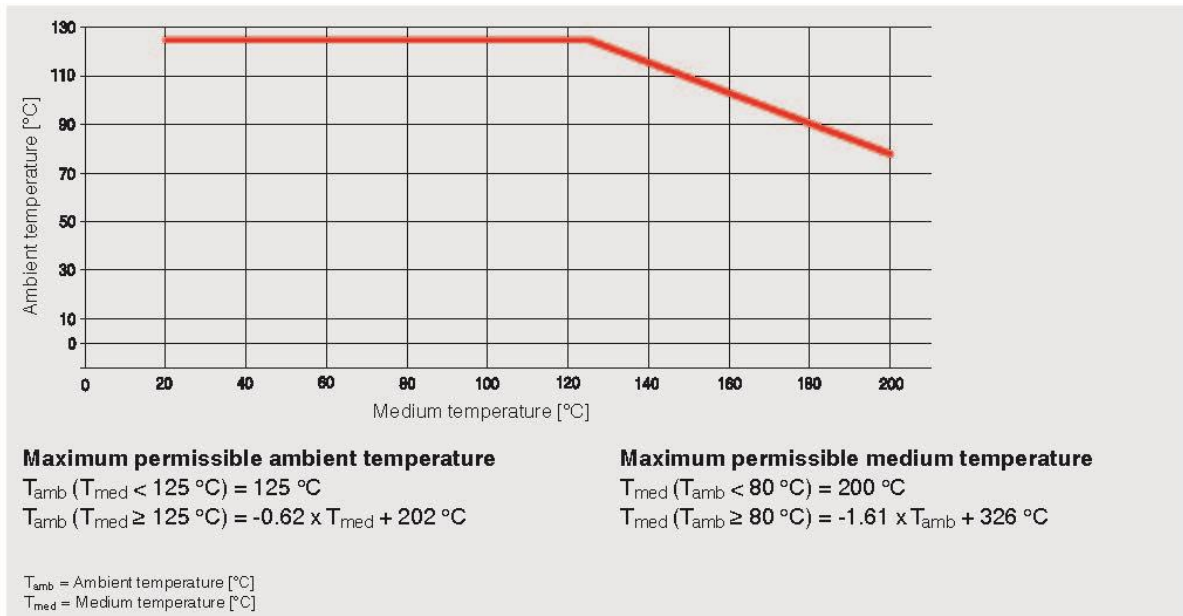
#### Permissible temperature ranges

Medium	Ambient	Version
-30 ... +100 °C	-30 ... +100 °C	-
-40 ... +125 °C	-40 ... +125 °C	-
-40 ... +150 °C	-40 ... +125 °C <sup>1)</sup>	with cooling element
-40 ... +200 °C	-40 ... +125 °C <sup>1)</sup>	with cooling element
-20 ... +60 °C	-20 ... +60 °C	Oxygen applications

**GB**

1) Derating curve and formula

Depending on the choice of sealing on the process connection and the electrical connection, there may be limitations in the medium and the ambient temperatures.



14043170.01.04/2013 GB/D/FE

## 3. Specifications

GB

Electrical connection	maximum permissible temperature
Angular connector DIN 175301-803 A	-30 ... +100 °C
Angular connector DIN 175301-803 C	-30 ... +100 °C
Circular connector M12 x 1 (4-pin)	-30 ... +100 °C
Circular connector M12 x 1 (4-pin, metallic)	-40 ... +125 °C (cULus: +85 °C)
Bayonet connector (6-pin)	-40 ... +125 °C
Field case	-25 ... +100 °C
Heavy-duty connector	-40 ... +125 °C
Cable outlet IP 67	-30 ... +100 °C
Cable outlet ½ NPT conduit	-30 ... +100 °C (cULus: +90 °C)
Cable outlet IP 68	-30 ... +125 °C (cULus: +90 °C)
Cable outlet IP 68, FEP	-40 ... +125 °C (cULus: +105 °C)
Cable outlet IP 69K	-30 ... +125 °C (cULus: +90 °C)

### Climate class

Storage: 1K3 (per EN 60721-3-1)

Transport: 2K2 (per EN 60721-3-2)

Operation: 4K4H (per EN 60721-3-4, without condensation or icing)

### Vibration resistance (per IEC 60068-2-6)

20 g, 10 ... 2,000 Hz, (40 g, 10 ... 2,000 Hz for heavy-duty connector)

For instruments with cooling elements a limited vibration resistance applies 10 g (10 ... 2,000 Hz)

### Continuous vibration resistance (per IEC 60068-2-6)

10 g

### Shock resistance (per IEC 60068-2-27)

100 g, 6 ms (500 g, 1 ms for heavy-duty connector)

### Free-fall test (following IEC 60721-3-2)

Individual packaging: 1.5 m

Multiple packaging: 0.5 m

PE bag: 0.5 m



## 3. Specifications

### Vacuum tightness

Yes

### Overpressure limit

The overpressure limit is based on the sensor element used. Depending on the selected process connection and sealing, restrictions in overpressure safety can result. A higher overpressure limit will result in a higher temperature error.

**GB**

Measuring range < 10 bar/150 psi	≥ 10 bar/150 psi
3 times (standard)	2 times <sup>1)</sup> (standard)
5 times	3 times <sup>2) 3)</sup>

- 1) Restriction: max. 60 bar/870 psi with absolute pressure  
 2) Only possible for relative pressure measuring ranges ≤ 400 bar or 5,800 psi  
 3) Only possible for absolute pressure measuring ranges < 16 bar or 220 psi

Process connection	Maximum overpressure limit
G 1/8 B	800 bar
G 1/4 B, G 1/4 B female, G 3/8 B	1,400 bar
G 1/2 B	1,800 bar (1.4404), 3,200 bar (1.4542)
G 1/4 A, G 1/2 A, M14 x 1.5, M12 x 1.5	600 bar
M20 x 1.5	1,800 bar (1.4404) 3,300 bar (1.4542)
7/16-20 UNF BOSS	600 bar
7/16-20 UNF J514 sealing cone 74°	1,100 bar
9/16-18 UNF BOSS	600 bar
1/8 NPT	1,100 bar
1/4 NPT, 1/4 NPT female	1,500 bar
1/2 NPT	1,500 bar (1.4404), 2,800 bar (1.4542)
PT 1/4	1,600 bar
PT 1/2	1,500 bar
PT 3/8	1,400 bar
R 1/4	1,600 bar
R 1/2	1,500 bar
R 3/8	1,400 bar (1.4404), 2,840 bar (1.4542)

All process connections in combination with a cooling element have a maximum overpressure limit of 400 bar.



## 3. Specifications

### Ingress protection

Electrical connection	Ingress protection
Angular connector DIN 175301-803 A	IP 65
Angular connector DIN 175301-803 C	IP 65
Circular connector M12 x 1 (4-pin)	IP 67
Circular connector M12 x 1 (4-pin, metallic)	IP 67
Bayonet connector (6-pin)	IP 67
Field case	IP 6K9K
Heavy-duty connector	IP 68
Cable outlet IP 67	IP 67
Cable outlet ½ NPT conduit	IP 67
Cable outlet IP 68	IP 68
Cable outlet IP 68, FEP	IP 68
Cable outlet IP 6K9K	IP 6K9K

GB

### Electrical protective measures

The electrical protective measures are not valid for ratiometric output signals.

- Short-circuit resistance: S<sub>+</sub> vs. U<sub>-</sub>
- Reverse polarity protection: U<sub>+</sub> vs. U<sub>-</sub>
- Resistance to overvoltage: DC 40 V (cULus: DC 35 V)
- Insulation voltage: DC 750 V, not suitable as electric shock protection

### CE conformity

- EMC directive: 2004/108/EC, EN 61326 emission (group 1, class B) and interference immunity (industrial application)
- Pressure equipment directive: 97/23/EC

### EM field

30 V/m (80 ... 1,000 MHz)

### RoHS conformity

RoHS-compliant

### 3. Specifications / 4. Design and function

For special model numbers, e.g. S-20000, please note the specifications stated on the delivery note.  
For further specifications see WIKA data sheet PE 81.61 and the order documentation.

### 4. Design and function

**GB**

#### 4.1 Description

The prevailing pressure is measured at the sensor element through the deformation of a diaphragm. By supplying power, this deformation of the diaphragm is converted into an electrical signal. The output signal from the pressure transmitter is amplified and standardised. The output signal is proportional to the measured pressure.

#### 4.2 Scope of delivery

Cross-check scope of delivery with delivery note.

14043170.01.04/2013 GB/D/F/E

## 5. Transport, packaging and storage

### 5. Transport, packaging and storage

#### 5.1 Transport

Check the pressure transmitter for any damage that may have been caused during transportation. Obvious damage must be reported immediately.

**GB**

#### 5.2 Packaging

Do not remove packaging until just before mounting.

Keep the packaging as it will provide optimum protection during transport (e.g. change in installation site, sending for repair).

#### 5.3 Storage

##### Permissible conditions at the place of storage:

- Storage temperature: -40 ... +70 °C
- Humidity: 67 % relative humidity (no condensation)

##### Avoid exposure to the following factors:

- Direct sunlight or proximity to hot objects
- Mechanical vibration, mechanical shock (putting it down hard)
- Soot, vapour, dust and corrosive gases
- Humid or wet environment
- Potentially explosive environments, flammable atmospheres

Store the pressure transmitter in its original packaging in a location that fulfils the conditions listed above.



##### **WARNING!**

Before storing the instrument (following operation), remove any residual media. This is of particular importance if the medium is hazardous to health, e.g. caustic, toxic, carcinogenic, radioactive, etc.

## 6. Commissioning, operation

### 6. Commissioning, operation

#### 6.1 Mechanical mounting

Only use original accessories. For accessories see data sheet PE 81.61.

**GB**

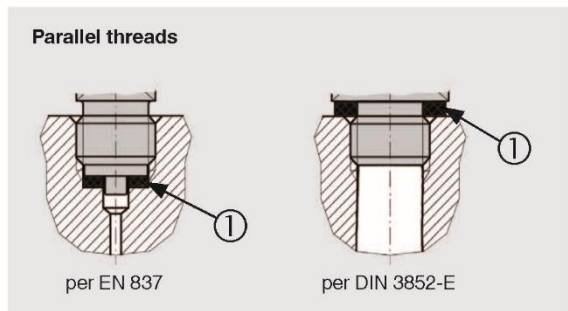
##### 6.1.1 Sealing the process connection


**WARNING!**

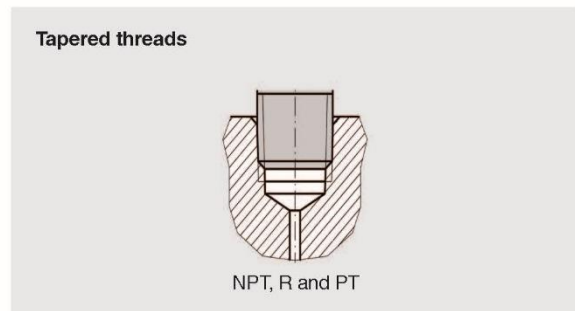
Risk of burns!

The cooling element can be hot as a result of previous use. Allow the cooling element to cool beforehand.

The sealing faces at the instrument have to be undamaged and clean.



Correct sealing of the process connections with parallel threads at the sealing face ① must be made using suitable flat gaskets, sealing rings or WIKA profile sealings.



For sealing process connections with tapered threads, the sealing must be made in the threads using additional sealing material, e.g. PTFE tape (EN 837-2).



For further information on seals see WIKA data sheet AC 09.08 or at [www.wika.com](http://www.wika.com).

1-4043170.01 04/2013 GB/D/F/E

## 6. Commissioning, operation

### 6.1.2 Installing the instrument

GB



**WARNING!**

Risk of burns!

The cooling element can be hot as a result of previous use. Allow the cooling element to cool beforehand.

- When screwing the instrument in, the force required to do this must not be applied through the case or the cap ring, but only through the spanner flats provided for this purpose and using a suitable tool.

When there is a cooling element, the lower hexagon should be used for tightening (see figure a "Mounting cooling element")

The correct torque depends on the dimensions of the process connection and the gasket used (form/material).

- When screwing in, do not cross the threads.
- For heat dissipation, the cooling element must not be insulated.
- If the instrument is mounted upside down, it must be ensured that no water can collect on the electrical connection and on the cap ring. Water can block the pressure compensation diaphragm.



For information on tapped holes and welding sockets, see Technical information IN 00.14 at [www.wika.com](http://www.wika.com).



Model S-20 without cooling element



Mounting a cooling element

## 6. Commissioning, operation

### 6.2 Electrical mounting

Only use original accessories. For accessories see data sheet PE 81.61.



#### WARNING!

The instrument shield does not act as a protective conductor for protection of personnel, rather as a functional ground in order to shield the instrument from electromagnetic fields.

**GB**


#### 6.2.1 Connection assembly


- For instruments with ratiometric output signals, a shielded cable must be used. The cable shield must be grounded, if the cable is longer than 30 m or leaves the building.
- Use a cable with suitable characteristics for the particular operating conditions.
- For cable variants, strain relief must be employed.
- Cable with ventilation tubes must be vented to atmosphere.
- The instrument must be earthed via the process connection!
- Select a cable diameter that matches the cable gland of the plug. Make sure that the cable gland of the mounted plug has a tight fit and that the seals are present and undamaged. Tighten the threaded connection and check that the seal is correctly seated, in order to ensure a tight seal.
- For cable outlets, make sure that no moisture enters at the cable end.

#### Specifications for the assembly configurations of the mating connectors

Mating connectors for electrical connection	Wire cross-section	Cable diameter
Angular connector DIN 175301-803 A	max. 1.5 mm <sup>2</sup>	6 ... 8 mm
Angular connector DIN 175301-803 C	max. 0.75 mm <sup>2</sup>	4.5 ... 6 mm

#### 6.2.2 Pin assignment

Circular connector M12 x 1 (4-pin)	2-wire		3-wire	
		U <sub>+</sub>	1	1
	U <sub>-</sub>	3	3	3
	S <sub>+</sub>	-	4	4
	Shield	Case	Case	Case

Heavy-duty connector	2-wire		3-wire	
		U <sub>+</sub>	1	1
	U <sub>-</sub>	2	2	2
	S <sub>+</sub>	-	3	3
	Shield	Case	Case	Case

14043170.01 04/2013 GB/D/F/E



## 6. Commissioning, operation

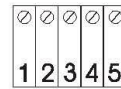
GB

### Cable outlet (US code)



	2-wire	3-wire
U <sub>+</sub>	red (RD)	red (RD)
U <sub>-</sub>	black (BK)	black (BK)
S <sub>+</sub>	-	white (WH)
Shield	grey (GY)	grey (GY)

### Field case



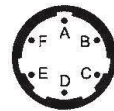
	2-wire	3-wire
U <sub>+</sub>	1	1
U <sub>-</sub>	2	2
S <sub>+</sub>	-	3
Shield	5	5

### Cable outlet incl. mating connector with moulded cable



	2-wire	3-wire
U <sub>+</sub>	brown (BN)	brown (BN)
U <sub>-</sub>	blue (BU)	blue (BU)
S <sub>+</sub>	-	black (BK)
Shield	grey (GY)	grey (GY)

### Bayonet connector (6-pin)



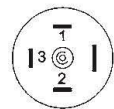
	2-wire	3-wire
U <sub>+</sub>	A	A
U <sub>-</sub>	B	B
S <sub>+</sub>	-	C
Shield	Case	Case

### Angular connector DIN 175301-803 A



	2-wire	3-wire
U <sub>+</sub>	1	1
U <sub>-</sub>	2	2
S <sub>+</sub>	-	3
Shield	4	4

### Angular connector DIN 175301-803 C



	2-wire	3-wire
U <sub>+</sub>	1	1
U <sub>-</sub>	2	2
S <sub>+</sub>	-	3
Shield	4	4

### 6.2.3 Setting up a voltage supply

The voltage supply is made via a power supply unit or a control unit which provides the energy limitation.

The power supply for the pressure transmitter must be made via an energy-limited electrical circuit in accordance with section 9.3 of UL/EN/IEC 61010-1, or an LPS to UL/EN/IEC 60950-1, or class 2 in accordance with UL1310/UL1585 (NEC or CEC). The power supply must be suitable for operation above 2,000 m should the pressure transmitter be used at this altitude.



## 6. Commissioning, operation

The permissible power supply depends on the corresponding output signal.  
With cULus approval: max. DC 35 V (DC 32 V with heavy-duty connector)

Output signal	Power supply
4 ... 20 mA	DC 8 ... 36 V (DC 12 ... 36 V with optional settling time of 1 ms)
20 ... 4 mA	DC 8 ... 36 V
DC 0 ... 10 V	DC 12 ... 36 V
DC 0 ... 5 V	DC 8 ... 36 V
DC 1 ... 5 V	DC 8 ... 36 V
DC 0.5 ... 4.5 V	DC 8 ... 36 V
DC 1 ... 6 V	DC 9 ... 36 V
DC 10 ... 0 V	DC 12 ... 36 V
DC 0.5 ... 4.5 V	DC 5 V $\pm$ 10 %

**GB**

Output signal	Load in $\Omega$
Current output	$\leq (\text{power supply} - 7.5 \text{ V}) / 0.023 \text{ A}$ $\leq (\text{power supply} - 11.5 \text{ V}) / 0.023 \text{ A}$ (with optional settling time of 1 ms)
Voltage output	$> \text{maximum output voltage} / 1 \text{ mA}$
Ratiometric output	$> 4.5 \text{ k}\Omega$

### Dissipation loss

- Current output: 828 mW (22 mW/K derating of the dissipation loss with ambient temperatures  $\geq 100 \text{ }^\circ\text{C}$ )
- Voltage output: 432 mW

### Current supply

- Current output: Current signal, max. 25 mA
- Voltage output: max. 12 mA

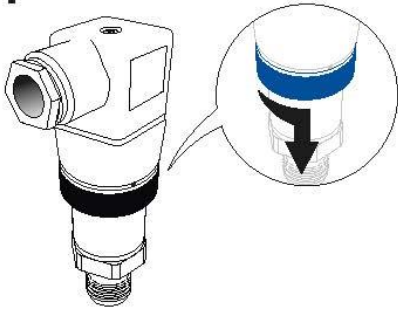
1-4043170-01-04/2013 GB/ID/FE

7. Zero point adjustment

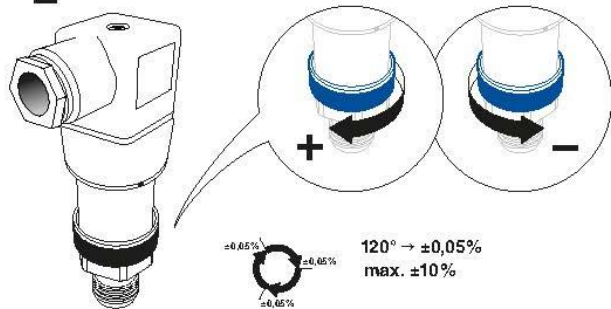
7. Zero point adjustment

GB

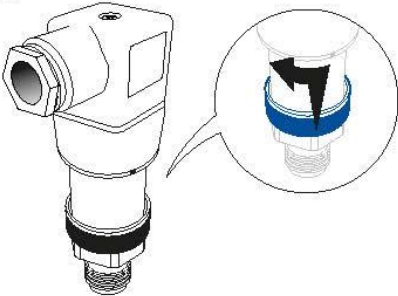
1



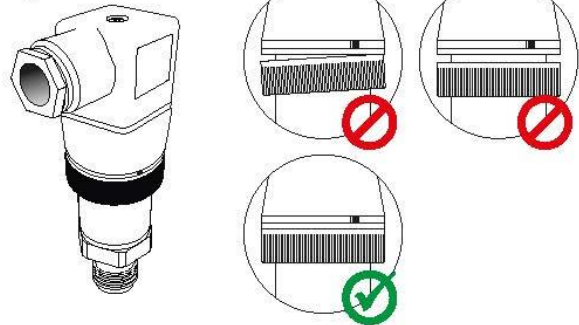
2



3



4



## 8. Maintenance and cleaning

### 8. Maintenance and cleaning

#### 8.1 Maintenance

This pressure transmitter is maintenance-free.  
Repairs must only be carried out by the manufacturer.

**GB**

#### 8.2 Cleaning

**CAUTION!**

- Before cleaning, correctly disconnect the pressure transmitter from the pressure supply, switch it off and disconnect it from the voltage supply.
- Clean the instrument with a moist cloth.
- Wash or clean the dismantled instrument before returning it, in order to protect persons and the environment from exposure to residual media.
- Residual media in dismantled instruments can result in a risk to persons, the environment and equipment. Take sufficient precautionary measures.
- Do not use any pointed or hard objects for cleaning, as they may damage the diaphragm of the process connection.



For information on returning the instrument see chapter 10.2 "Return".

#### 8.3 Recalibration

**DKD/DAkkS certificate - Official certificates:**

If the instrument is used for hydrogen applications, a recalibration is required after 6 months. The basic settings will be corrected, if necessary.

1-4043170.01.04/2013 GB/ID/FE

## 9. Faults

### 9. Faults

In the event of any faults, first check whether the pressure transmitter is mounted correctly, mechanically and electrically.

**GB**

Faults	Causes	Measures
Plastic has faded	UV radiation	No measures required Discolouration is harmless
No output signal	Cable break	Check the continuity, and if necessary exchange the cable
	No/wrong power supply	Correct the power supply
No/wrong output signal	Wiring error	Rectify the wiring
Constant output signal upon change in pressure	Mechanical overload caused by overpressure	Replace instrument; if it fails repeatedly, contact the manufacturer
Signal span too small/drops	Mechanical overload caused by overpressure	Replace instrument; if it fails repeatedly, contact the manufacturer
	Diaphragm damaged, e.g. due to impacts, abrasive/aggressive medium; corrosion at diaphragm or process connection; transmission medium missing	Replace instrument; if it fails repeatedly, contact the manufacturer
	Sealing/sealing face damaged/soiled, sealing does not have a tight fit, threads jammed	Clean the sealing/sealing face, replace sealing if applicable
Signal span varies/inaccurate	EMC interference sources in the environment; e.g. frequency converter	Shield instrument; cable shield; Remove source of interference
	Operating temperature too high/low	Lower/increase the temperature
	Instrument not grounded	Ground the instrument
	Strongly varying pressure of the process medium	Damping; consulting by the manufacturer
Deviating zero point signal	Operating temperature too high/low	Lower/increase the temperature
	Other mounting position	Adjust the zero point
	Overpressure limit exceeded	Reduce the pressure

If complaint is unjustified, we will charge you the complaint processing fees.

**9. Faults / 10. Dismounting, return and disposal****CAUTION!**

If faults cannot be eliminated by means of the measures listed above, shut down the pressure transmitter immediately, and ensure that pressure and/or signal are no longer present, and secure the instrument from being put back into operation inadvertently. In this case, contact the manufacturer. If a return is needed, please follow the instructions given in chapter 10.2 "Return".

**GB****10. Dismounting, return and disposal****WARNING!**

Residual media in dismantled pressure transmitters can result in a risk to persons, the environment and equipment. Take sufficient precautionary measures.

**10.1 Dismounting****WARNING!**

Risk of burns!

Let the instrument cool down sufficiently before dismantling!

During dismantling there is a risk of dangerously hot pressure media escaping.

When removing the instrument, the force required to do this must not be applied through the case or the cap ring, but only through the spanner flats provided for this purpose and using a suitable tool (see chapter 6.1.2 "Installing the instrument").

When there is a cooling element, the lower hexagon should be used for unscrewing (see chapter 6.1.2 "Installing the instrument")

Only disconnect the pressure transmitter once the system has been depressurised!

## 10. Dismounting, return and disposal

### 10.2 Return

GB

**WARNING!****Absolutely observe when shipping the pressure transmitter:**

All pressure transmitters delivered to WIKA must be free from any kind of hazardous substances (acids, bases, solutions, etc.).

When returning the instrument, use the original packaging or a suitable transport package.

Label the shipment as transport of a highly-sensitive measuring instrument in order to avoid any damage.



Information on returns can be found under the heading "Service" on our local website.

### 10.3 Disposal

Incorrect disposal can put the environment at risk.

Dispose of instrument components and packaging materials in an environmentally compatible way and in accordance with the country-specific waste disposal regulations.



**Inhalt**

# Inhalt

<b>1. Allgemeines</b>	<b>26</b>
<b>2. Sicherheit</b>	<b>28</b>
<b>3. Technische Daten</b>	<b>31</b>
<b>4. Aufbau und Funktion</b>	<b>35</b>
<b>5. Transport, Verpackung und Lagerung</b>	<b>36</b>
<b>6. Inbetriebnahme, Betrieb</b>	<b>37</b>
<b>7. Nullpunkteinstellung</b>	<b>42</b>
<b>8. Wartung und Reinigung</b>	<b>43</b>
<b>9. Störungen</b>	<b>44</b>
<b>10. Demontage, Rücksendung und Entsorgung</b>	<b>45</b>
<b>Anlage 1: EG-Konformitätserklärung Typ S-20</b>	<b>47</b>

**D**

Konformitätserklärungen finden Sie online unter [www.wika.de](http://www.wika.de).

WIKA Betriebsanleitung Druckmessumformer, Typ S-20

25

1-4043170.01.04/2013 GB/D/FE



## 1. Allgemeines

### 1. Allgemeines

- Der in der Betriebsanleitung beschriebene Druckmessumformer wird nach dem aktuellen Stand der Technik konstruiert und gefertigt. Alle Komponenten unterliegen während der Fertigung strengen Qualitäts- und Umweltkriterien. Unsere Managementsysteme sind nach ISO 9001 und ISO 14001 zertifiziert.
- D** ■ Diese Betriebsanleitung gibt wichtige Hinweise zum Umgang mit dem Gerät. Voraussetzung für sicheres Arbeiten ist die Einhaltung aller angegebenen Sicherheitshinweise und Handlungsanweisungen.
- Die für den Einsatzbereich des Gerätes geltenden örtlichen Unfallverhütungsvorschriften und allgemeinen Sicherheitsbestimmungen einhalten.
- Die Betriebsanleitung ist Produktbestandteil und muss in unmittelbarer Nähe des Gerätes für das Fachpersonal jederzeit zugänglich aufbewahrt werden.
- Das Fachpersonal muss die Betriebsanleitung vor Beginn aller Arbeiten sorgfältig durchgelesen und verstanden haben.
- Die Haftung des Herstellers erlischt bei Schäden durch bestimmungswidrige Verwendung, Nichtbeachten dieser Betriebsanleitung, Einsatz ungenügend qualifizierten Fachpersonals sowie eigenmächtiger Veränderung am Gerät.
- Es gelten die allgemeinen Geschäftsbedingungen in den Verkaufsunterlagen.
- Technische Änderungen vorbehalten.
- Weitere Informationen:
  - Internet-Adresse: [www.wika.de / www.wika.com](http://www.wika.de / www.wika.com)
  - zugehöriges Datenblatt: PE 81.61
  - Anwendungsberater: Tel.: (+49) 9372/132-8976  
Fax: (+49) 9372/132-8008976  
E-Mail: [support-tronic@wika.de](mailto:support-tronic@wika.de)

## 1. Allgemeines

### Symbolerklärung

**WARNUNG!**

... weist auf eine möglicherweise gefährliche Situation hin, die zum Tod oder zu schweren Verletzungen führen kann, wenn sie nicht gemieden wird.

**VORSICHT!**

... weist auf eine möglicherweise gefährliche Situation hin, die zu geringfügigen oder leichten Verletzungen bzw. Sach- und Umweltschäden führen kann, wenn sie nicht gemieden wird.

**D****Information**

... hebt nützliche Tipps und Empfehlungen sowie Informationen für einen effizienten und störungsfreien Betrieb hervor.

**WARNUNG!**

... weist auf eine möglicherweise gefährliche Situation hin, die durch heiße Oberflächen oder Flüssigkeiten zu Verbrennungen führen kann, wenn sie nicht gemieden wird.

### Abkürzungen

- 2-Leiter Die zwei Anschlussleitungen dienen zur Spannungsversorgung.  
Der Speisestrom ist das Messsignal.
- 3-Leiter Zwei Anschlussleitungen dienen zur Spannungsversorgung.  
Eine Anschlussleitung dient für das Messsignal.
- U<sub>B</sub> Positiver Versorgungsanschluss
- 0V Negativer Versorgungsanschluss
- S<sub>+</sub> Positiver Messanschluss

14043170.01 04/2013 GB/D/F/E

## 2. Sicherheit

### 2. Sicherheit


**WARNUNG!**

Vor Montage, Inbetriebnahme und Betrieb sicherstellen, dass der richtige Druckmessumformer hinsichtlich Messbereich, Ausführung und spezifischen Messbedingungen ausgewählt wurde. Bei Nichtbeachten können schwere Körperverletzungen und/oder Sachschäden auftreten.

**D**

**WARNUNG!**

- Anschlüsse nur im drucklosen Zustand öffnen.
- Betriebsparameter gemäß Kapitel 3 „Technische Daten“ beachten.



Weitere wichtige Sicherheitshinweise befinden sich in den einzelnen Kapiteln dieser Betriebsanleitung.

#### 2.1 Bestimmungsgemäße Verwendung

Der Druckmessumformer dient zum Umwandeln von Druck in ein elektrisches Signal.

Bei Wasserstoffanwendungen ist ein Einsatz nur dann zulässig, wenn die Medien- und Umgebungstemperatur 30 °C nicht überschreitet. Für Anwendungen mit direkter Lebensmittelberührung ist dieser Druckmessumformer nicht geeignet.

Das Gerät ist ausschließlich für den hier beschriebenen bestimmungsgemäßen Verwendungszweck konzipiert und konstruiert und darf nur dementsprechend verwendet werden.

Die technischen Spezifikationen in dieser Betriebsanleitung sind einzuhalten. Eine unsachgemäße Handhabung oder ein Betreiben des Druckmessumformers außerhalb der technischen Spezifikationen macht die sofortige Stilllegung und Überprüfung durch einen autorisierten WIKA-Servicemitarbeiter erforderlich.

Ansprüche jeglicher Art aufgrund von nicht bestimmungsgemäßer Verwendung sind ausgeschlossen.

## 2. Sicherheit

### 2.2 Personalqualifikation

**WARNUNG!****Verletzungsgefahr bei unzureichender Qualifikation!**

Unsachgemäßer Umgang kann zu erheblichen Personen- und Sachschäden führen.

Die in dieser Betriebsanleitung beschriebenen Tätigkeiten nur durch Fachpersonal nachfolgend beschriebener Qualifikation durchführen lassen.

**D****Fachpersonal**

Das Fachpersonal ist aufgrund seiner fachlichen Ausbildung, seiner Kenntnisse der Mess- und Regelungstechnik und seiner Erfahrungen sowie Kenntnis der landesspezifischen Vorschriften, geltenden Normen und Richtlinien in der Lage, die beschriebenen Arbeiten auszuführen und mögliche Gefahren selbstständig zu erkennen.

Spezielle Einsatzbedingungen verlangen weiteres entsprechendes Wissen, z. B. über aggressive Medien.

### 2.3 Besondere Gefahren

**WARNUNG!**

Bei gefährlichen Messstoffen wie z. B. Sauerstoff, Acetylen, brennbaren oder giftigen Stoffen, sowie bei Kälteanlagen, Kompressoren etc. müssen über die gesamten allgemeinen Regeln hinaus die einschlägigen Vorschriften beachtet werden.

**WARNUNG!**

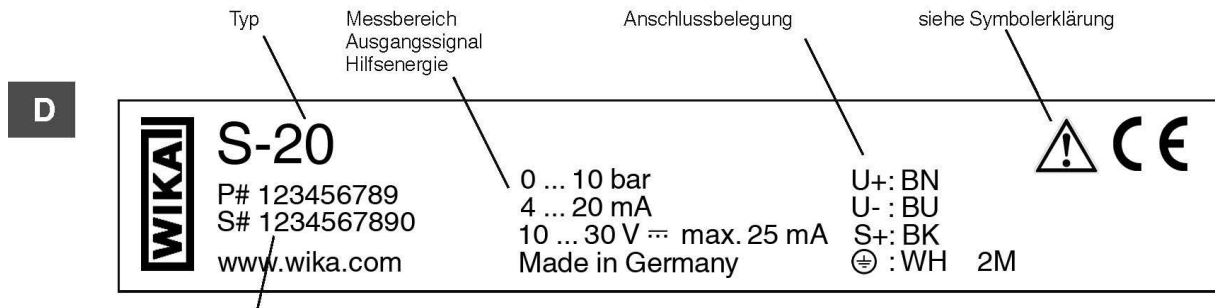
Messstoffreste in ausgebauten Druckmessumformern können zur Gefährdung von Personen, Umwelt und Einrichtung führen.

Ausreichende Vorsichtsmaßnahmen ergreifen.

## 2. Sicherheit

### 2.4 Beschilderung / Sicherheitskennzeichnungen

#### Typenschild



P# Erzeugnisnummer  
S# Seriennummer

Wird die Seriennummer durch mechanische Beschädigung oder Übermalen unleserlich, ist eine Rückverfolgbarkeit nicht mehr möglich.

#### Symbolerklärung



**CE, Communauté Européenne**

Geräte mit dieser Kennzeichnung stimmen überein mit den zutreffenden europäischen Richtlinien.

### 3. Technische Daten

### 3. Technische Daten

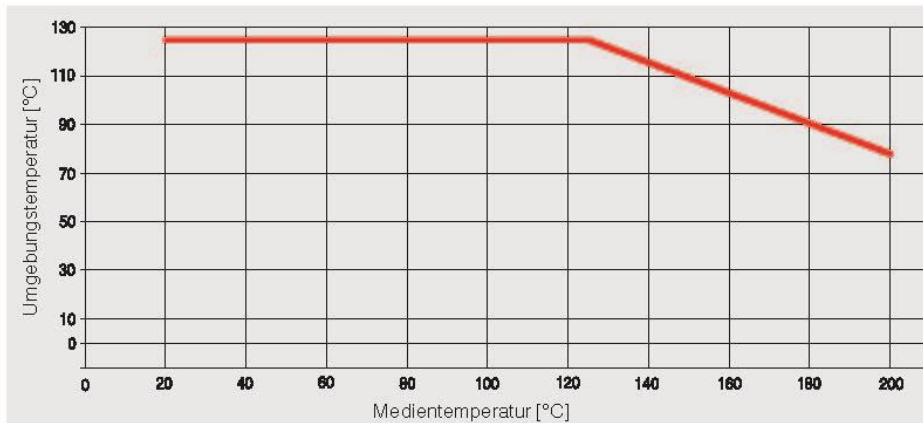
#### Zulässige Temperaturbereiche

Messstoff	Umgebung	Ausführung
-30 ... +100 °C	-30 ... +100 °C	-
-40 ... +125 °C	-40 ... +125 °C	-
-40 ... +150 °C	-40 ... +125 °C <sup>1)</sup>	mit Kühlstrecke
-40 ... +200 °C	-40 ... +125 °C <sup>1)</sup>	mit Kühlstrecke
-20 ... +60 °C	-20 ... +60 °C	Sauerstoffausführung

**D**

1) Deratingkurve und Formel

Abhängig von der Wahl der Dichtung am Prozessanschluss und des elektrischen Anschlusses, kann es zu Einschränkungen in der Messstoff- und Umgebungstemperatur kommen.



#### Maximal zulässige Umgebungstemperatur

$$T_{amb} (T_{med} < 125 \text{ °C}) = 125 \text{ °C}$$

$$T_{amb} (T_{med} \geq 125 \text{ °C}) = -0,62 \times T_{med} + 202 \text{ °C}$$

#### Maximal zulässige Medientemperatur

$$T_{med} (T_{amb} < 80 \text{ °C}) = 200 \text{ °C}$$

$$T_{med} (T_{amb} \geq 80 \text{ °C}) = -1,61 \times T_{amb} + 326 \text{ °C}$$

$T_{amb}$  = Umgebungstemperatur [°C]

$T_{med}$  = Medientemperatur [°C]

1-4043170.01.04/2013 GB/D/FE



## 3. Technische Daten

Elektrischer Anschluss	maximal zulässige Temperatur
Winkelstecker DIN 175301-803 A	-30 ... +100 °C
Winkelstecker DIN 175301-803 C	-30 ... +100 °C
Rundstecker M12 x 1 (4-polig)	-30 ... +100 °C
Rundstecker M12 x 1 (4-polig, metallisch)	-40 ... +125 °C (cULus: +85 °C)
Bajonettstecker (6-polig)	-40 ... +125 °C
Feldgehäuse	-25 ... +100 °C
Heavy-Duty-Connector	-40 ... +125 °C
Kabelausgang IP 67	-30 ... +100 °C
Kabelausgang ½ NPT Conduit	-30 ... +100 °C (cULus: +90 °C)
Kabelausgang IP 68	-30 ... +125 °C (cULus: +90 °C)
Kabelausgang IP 68, FEP	-40 ... +125 °C (cULus: +105 °C)
Kabelausgang IP 69K	-30 ... +125 °C (cULus: +90 °C)

D

### Klimaklasse

Lager: 1K3 (nach EN 60721-3-1)  
 Transport: 2K2 (nach EN 60721-3-2)  
 Betrieb: 4K4H (nach EN 60721-3-4, ohne Betauung oder Vereisung)

### Vibrationsfestigkeit (nach IEC 60068-2-6)

20 g, 10 ... 2.000 Hz, (40 g, 10 ... 2.000 Hz für Heavy-Duty-Connector)  
 Für Geräte mit Kühlstrecke gilt eine eingeschränkte Vibrationsfestigkeit von 10 g (10 ... 2.000 Hz)

### Dauervibrationsfestigkeit (nach IEC 60068-2-6)

10 g

### Schockfestigkeit (nach IEC 60068-2-27)

100 g, 6 ms (500 g, 1 ms für Heavy-Duty-Connector)

### Freifalltest (in Anlehnung an IEC 60721-3-2)

Einzelverpackung: 1,5 m  
 Mehrfachverpackung: 0,5 m  
 PE-Beutel: 0,5 m



## 3. Technische Daten

### Vakuumfestigkeit

Ja

### Überlast-Druckgrenze

Die Überlast-Druckgrenze bezieht sich auf das verwendete Sensorelement. Abhängig vom gewählten Prozessanschluss und der Dichtung, können sich Einschränkungen in der Überlastsicherheit ergeben. Eine höhere Überlast-Druckgrenze hat einen erhöhten Temperaturfehler zur Folge.

**D**

Messbereich < 10 bar/150 psi	≥ 10 bar/150 psi
3-fach (Standard)	2-fach <sup>1)</sup> (Standard)
5-fach	3-fach <sup>2)3)</sup>

1) Einschränkung: max. 60 bar/870 psi bei Absolutdruck

2) Nur möglich für Relativdruck-Messbereiche ≤ 400 bar bzw. 5.800 psi

3) Nur möglich für Absolutdruck-Messbereiche < 16 bar bzw. 220 psi

Prozessanschluss	Maximale Überlast-Druckgrenze
G 1/8 B	800 bar
G 1/4 B, G 1/4 B Innengewinde, G 3/8 B	1.400 bar
G 1/2 B	1.800 bar (1.4404), 3.200 bar (1.4542)
G 1/4 A, G 1/2 A, M14 x 1,5, M12 x 1,5	600 bar
M20 x 1,5	1.800 bar (1.4404) 3.300 bar (1.4542)
7/16-20 UNF BOSS	600 bar
7/16-20 UNF J514 Dichtkonus 74°	1.100 bar
9/16-18 UNF BOSS	600 bar
1/8 NPT	1.100 bar
1/4 NPT, 1/4 NPT Innengewinde	1.500 bar
1/2 NPT	1.500 bar (1.4404), 2.800 bar (1.4542)
PT 1/4	1.600 bar
PT 1/2	1.500 bar
PT 3/8	1.400 bar
R 1/4	1.600 bar
R 1/2	1.500 bar
R 3/8	1.400 bar (1.4404), 2.840 bar (1.4542)

Alle Prozessanschlüsse in Kombination mit einer Kühlstrecke haben eine maximale Überlast-Druckgrenze von 400 bar.

1-4043170-01-04/2013 GB/D/F/E

## 3. Technische Daten

### Schutzart

Elektrischer Anschluss	Schutzart
Winkelstecker DIN 175301-803 A	IP 65
Winkelstecker DIN 175301-803 C	IP 65
Rundstecker M12 x 1 (4-polig)	IP 67
Rundstecker M12 x 1 (4-polig, metallisch)	IP 67
Bajonettstecker (6-polig)	IP 67
Feldgehäuse	IP 6K9K
Heavy-Duty-Connector	IP 68
Kabelausgang IP 67	IP 67
Kabelausgang ½ NPT Conduit	IP 67
Kabelausgang IP 68	IP 68
Kabelausgang IP 68, FEP	IP 68
Kabelausgang IP 6k9k	IP 6K9K

D

### Elektrische Schutzmaßnahmen

Die elektrische Schutzmaßnahmen gelten nicht für ratiometrische Ausgangssignale.

- Kurzschlussfestigkeit: S<sub>+</sub> gegen U<sub>-</sub>
- Verpolschutz: U<sub>+</sub> gegen U<sub>-</sub>
- Überspannungsfestigkeit: DC 40 V (cULus: DC 35 V)
- Isolationsspannung: DC 750 V, nicht als Berührungsschutz geeignet

### CE-Konformität

- EMV-Richtlinie: 2004/108/EG EN 61326 Emission (Gruppe 1, Klasse B) und Störfestigkeit (industrieller Bereich)
- Druckgeräterichtlinie: 97/23/EG

### EM-Feld

30 V/m (80 ... 1.000 MHz)

### RoHS-Konformität

RoHS-konform

### 3. Technische Daten / 4. Aufbau und Funktion

Bei Sondertypennummer, z. B. S-20000, Spezifikationen gemäß Lieferschein beachten.  
Weitere technische Daten siehe WIKA-Datenblatt PE 81.61 und Bestellunterlagen.

## 4. Aufbau und Funktion

### 4.1 Beschreibung

Der anstehende Druck wird mittels Membranverformung am Sensorelement gemessen. Unter Zuführung von Hilfsenergie wird diese Membranverformung in ein elektrisches Signal umgewandelt. Das vom Druckmessumformer ausgegebene Signal ist verstärkt und standardisiert. Das Ausgangssignal verhält sich proportional zum gemessenen Druck.

**D**

### 4.2 Lieferumfang

Lieferumfang mit dem Lieferschein abgleichen.

## 5. Transport, Verpackung und Lagerung

### 5. Transport, Verpackung und Lagerung

#### 5.1 Transport

Druckmessumformer auf eventuell vorhandene Transportschäden untersuchen.  
Offensichtliche Schäden unverzüglich mitteilen.

**D**

#### 5.2 Verpackung

Verpackung erst unmittelbar vor der Montage entfernen.

Die Verpackung aufbewahren, denn diese bietet bei einem Transport einen optimalen Schutz  
(z. B. wechselnder Einbauort, Reparatursendung).

#### 5.3 Lagerung

##### Zulässige Bedingungen am Lagerort:

- Lagertemperatur: -40 ... +70 °C
- Feuchtigkeit: 67 % relative Feuchte (keine Betauung)

##### Folgende Einflüsse vermeiden:

- Direktes Sonnenlicht oder Nähe zu heißen Gegenständen
- Mechanische Vibration, mechanischer Schock (hartes Aufstellen)
- Ruß, Dampf, Staub und korrosive Gase
- Feuchte oder nasse Umgebung
- Explosionsgefährdete Umgebung, entzündliche Atmosphären

Den Druckmessumformer in der Originalverpackung an einem Ort lagern, der die oben gelisteten Bedingungen erfüllt.



##### WARNUNG!

Vor der Einlagerung des Gerätes (nach Betrieb) alle anhaftenden Messstoffreste entfernen. Dies ist besonders wichtig, wenn der Messstoff gesundheitsgefährdend ist, wie z. B. ätzend, giftig, krebserregend, radioaktiv, usw.

## 6. Inbetriebnahme, Betrieb

### 6. Inbetriebnahme, Betrieb

#### 6.1 Mechanische Montage

Nur Originalzubehör verwenden. Zubehör siehe Datenblatt PE 81.61.

##### 6.1.1 Prozessanschluss abdichten


**WARNUNG!**

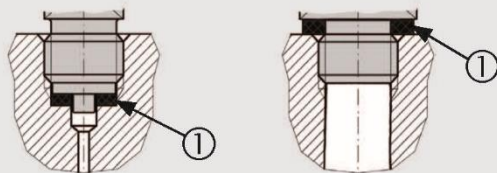
Verbrennungsgefahr!

Die Kühlstrecke kann durch vorherige Verwendung heiß sein. Die Kühlstrecke zuvor abkühlen lassen.

**D**

Dichtflächen am Gerät und an der Messstelle müssen unbeschädigt und frei von Verschmutzungen sein.

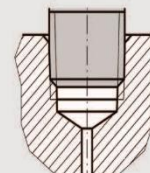
#### Zylindrische Gewinde



nach EN 837

nach DIN 3852-E

#### Kegelige Gewinde



NPT, R und PT

Zur Abdichtung der Prozessanschlüsse mit zylindrischem Gewinde sind an der Dichtfläche ① Flachdichtungen, Dichtlinsen oder WIKA-Profilabdichtungen einzusetzen.

Zur Abdichtung der Prozessanschlüsse mit kegeligem Gewinde erfolgt die Abdichtung im Gewinde, mit zusätzlichen Dichtwerkstoffen, z. B. PTFE-Band (EN 837-2).



Hinweise zu Dichtungen siehe WIKA-Datenblatt AC 09.08 oder unter [www.wika.de](http://www.wika.de).

14043170.01 04/2013 GB/D/F/E

## 6. Inbetriebnahme, Betrieb

### 6.1.2 Gerät einbauen



#### WARNUNG!

Verbrennungsgefahr!

Die Kühlstrecke kann durch vorherige Verwendung heiß sein. Die Kühlstrecke zuvor abkühlen lassen.

D

- Beim Einschrauben des Gerätes darf die dazu erforderliche Kraft nicht über das Gehäuse oder den Blendring aufgebracht werden, sondern nur mit geeignetem Werkzeug über die dafür vorgesehene Schlüssel­fläche.

Bei vorhandener Kühlstrecke, ist der untere Sechskant zum Anziehen zu verwenden (siehe Abbildung „Montage Kühlstrecke“)

Das richtige Drehmoment ist abhängig von der Dimension des Prozess­anschlusses sowie der verwendeten Dichtung (Form/Werkstoff).

- Beim Einschrauben die Gewindgänge nicht verkanten.
- Die Kühlstrecke darf zwecks Wärmeableitung nicht isoliert werden.
- Wird das Gerät über Kopf eingebaut, ist sicherzustellen dass sich kein Wasser am elektrischen Anschluss und am Blendring sammeln kann. Wasser kann die Druckausgleichsmembrane verschließen.



Angaben zu Einschraub­löchern und Einschweiß­stutzen siehe Technische Information IN 00.14 unter [www.wika.de](http://www.wika.de).



Typ S-20 ohne Kühlstrecke



Montage Kühlstrecke



## 6. Inbetriebnahme, Betrieb

### 6.2 Elektrische Montage

Nur Originalzubehör verwenden. Zubehör siehe Datenblatt PE 81.61.



#### WARNUNG!

Der Geräteschirm dient nicht als Schutzleiter zum Personenschutz, sondern als Funktionserde um das Gerät gegen elektromagnetische Felder abzuschirmen.

#### 6.2.1 Anschluss konfektionieren


- Bei Geräten mit ratiometrischem Ausgangssignal, ist ein geschirmtes Kabel zu verwenden. Den Kabelschirm erden, wenn das Kabel länger als 30 m ist oder das Gebäude verlässt.
- Ein Kabel mit geeigneten Eigenschaften für die jeweiligen Einsatzbedingungen verwenden.
- Bei Kabelausführungen ist eine Zugentlastung anzubringen.
- Kabel mit Belüftungsröhrchen sind gegen Atmosphäre zu belüften.
- Das Gerät über den Prozessanschluss erden.
- Den Kabeldurchmesser passend zur Kabeldurchführung des Steckers wählen. Darauf achten, dass die Kabelverschraubung des montierten Steckers korrekt sitzt und dass die Dichtungen vorhanden und nicht beschädigt sind. Verschraubung festziehen und den korrekten Sitz der Dichtungen überprüfen, um die Schutzart zu gewährleisten.
- Bei Kabelausgängen sicherstellen, dass am Ende des Kabels keine Feuchtigkeit eintritt.


**D**

#### Angaben zur Konfektionierung der Gegenstecker

Gegenstecker für elektrischen Anschluss	Aderquerschnitt	Kabeldurchmesser
Winkelstecker DIN 175301-803 A	max. 1,5 mm <sup>2</sup>	6 ... 8 mm
Winkelstecker DIN 175301-803 C	max. 0,75 mm <sup>2</sup>	4,5 ... 6 mm

#### 6.2.2 Anschlussbelegung

Rundstecker M12 x 1 (4-polig)			
	2-Leiter	3-Leiter	
	U <sub>+</sub>	1	1
	U <sub>-</sub>	3	3
	S <sub>+</sub>	-	4
	Schirm	Gehäuse	Gehäuse

Heavy-Duty-Connector			
	2-Leiter	3-Leiter	
	U <sub>+</sub>	1	1
	U <sub>-</sub>	2	2
	S <sub>+</sub>	-	3
	Schirm	Gehäuse	Gehäuse

14043170.01 04/2013 GB/D/F/E

## 6. Inbetriebnahme, Betrieb

### Kabelausgang (US-Code)



	2-Leiter	3-Leiter
U <sub>+</sub>	rot (RD)	rot (RD)
U <sub>-</sub>	schwarz (BK)	schwarz (BK)
S <sub>+</sub>	-	weiß (WH)
Schirm	grau (GY)	grau (GY)

### Feldgehäuse

	2-Leiter	3-Leiter
U <sub>+</sub>	1	1
U <sub>-</sub>	2	2
S <sub>+</sub>	-	3
Schirm	5	5

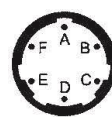
D

### Kabelausgang inkl. Gegenstecker mit angespritztem Kabel



	2-Leiter	3-Leiter
U <sub>+</sub>	braun (BN)	braun (BN)
U <sub>-</sub>	blau (BU)	blau (BU)
S <sub>+</sub>	-	schwarz (BK)
Schirm	grau (GY)	grau (GY)

### Bajonetstecker (6-polig)



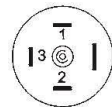
	2-Leiter	3-Leiter
U <sub>+</sub>	A	A
U <sub>-</sub>	B	B
S <sub>+</sub>	-	C
Schirm	Gehäuse	Gehäuse

### Winkelstecker DIN 175301-803 A



	2-Leiter	3-Leiter
U <sub>+</sub>	1	1
U <sub>-</sub>	2	2
S <sub>+</sub>	-	3
Schirm	4	4

### Winkelstecker DIN 175301-803 C



	2-Leiter	3-Leiter
U <sub>+</sub>	1	1
U <sub>-</sub>	2	2
S <sub>+</sub>	-	3
Schirm	4	4

### 6.2.3 Spannungsversorgung einrichten

Die Spannungsversorgung erfolgt über Speise- oder Steuergeräte, die über eine Energiebegrenzung verfügen.

Die Versorgung des Druckmessumformers muss durch einen energiebegrenzten Stromkreis gemäß 9.3 der UL/EN/IEC 61010-1 oder LPS gemäß UL/EN/IEC 60950-1 oder Class 2 gemäß UL1310/UL1585 (NEC oder CEC) erfolgen. Die Stromversorgung muss für den Betrieb oberhalb 2.000 m geeignet sein, falls der Druckmessumformer ab dieser Höhe verwendet wird.

## 6. Inbetriebnahme, Betrieb

Die zulässige Hilfsenergie ist vom jeweiligen Ausgangssignal abhängig.  
Bei cULus-Zulassung: max. DC 35 V (DC 32 V bei Heavy-Duty-Connector)

Ausgangssignal	Hilfsenergie
4 ... 20 mA	DC 8 ... 36 V (DC 12 ... 36 V bei optionaler Einschwingzeit 1 ms)
20 ... 4 mA	DC 8 ... 36 V
DC 0 ... 10 V	DC 12 ... 36 V
DC 0 ... 5 V	DC 8 ... 36 V
DC 1 ... 5 V	DC 8 ... 36 V
DC 0,5 ... 4,5 V	DC 8 ... 36 V
DC 1 ... 6 V	DC 9 ... 36 V
DC 10 ... 0 V	DC 12 ... 36 V
DC 0,5 ... 4,5 V	DC 5 V $\pm$ 10 %

**D**

Ausgangssignal	Bürde in $\Omega$
Stromausgang	$\leq$ (Hilfsenergie - 7,5 V) / 0,023 A $\leq$ (Hilfsenergie - 11,5 V) / 0,023 A (bei optionaler Einschwingzeit 1 ms)
Spannungsausgang	$>$ maximale Ausgangsspannung / 1 mA
Ratiometrischer Ausgang	$>$ 4,5 k $\Omega$

### Verlustleistung

- Stromausgang: 828 mW (22 mW/K Derating der Verlustleistung bei Umgebungstemperaturen  $\geq$  100 °C)
- Spannungsausgang: 432 mW

### Stromaufnahme

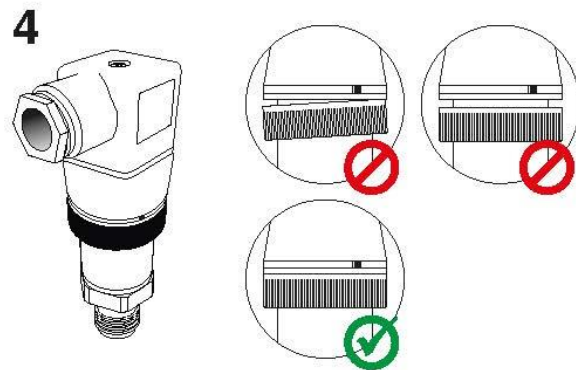
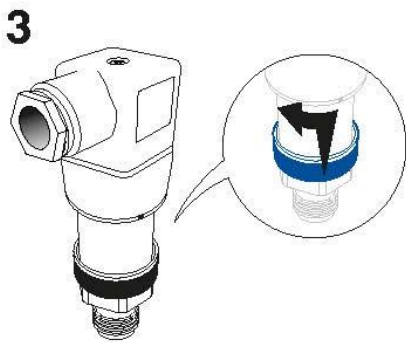
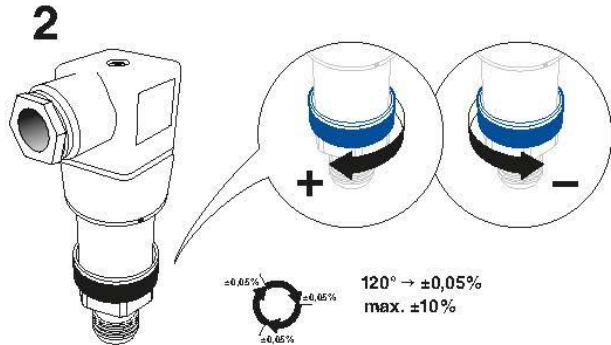
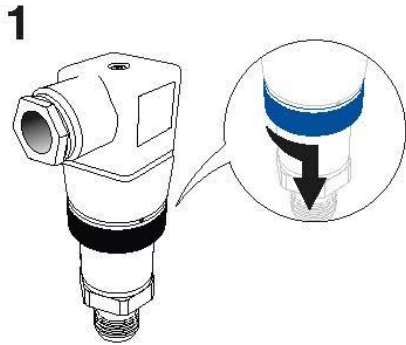
- Stromausgang: Stromsignal, max. 25 mA
- Spannungsausgang: max. 12 mA

1-4043170.01.04/2013 GB/ID/FE

7. Nullpunkteinstellung

7. Nullpunkteinstellung

D



## 8. Wartung und Reinigung

### 8. Wartung und Reinigung

#### 8.1 Wartung

Dieser Druckmessumformer ist wartungsfrei.  
Reparaturen sind ausschließlich vom Hersteller durchzuführen.

#### 8.2 Reinigung

**D****VORSICHT!**

- Vor der Reinigung den Druckmessumformer ordnungsgemäß von der Druckversorgung trennen, ausschalten und von der Spannungsversorgung trennen.
- Das Gerät mit einem feuchten Tuch reinigen.
- Ausgebautes Gerät vor der Rücksendung spülen bzw. säubern, um Personen und Umwelt vor Gefährdung durch anhaftende Messstoffreste zu schützen.
- Messstoffreste in ausgebauten Geräten können zur Gefährdung von Personen, Umwelt und Einrichtung führen. Ausreichende Vorsichtsmaßnahmen ergreifen.
- Keine spitzen bzw. harten Gegenstände zur Reinigung verwenden, denn diese können die Membrane des Prozessanschlusses beschädigen.



Hinweise zur Rücksendung des Gerätes siehe Kapitel 10.2 „Rücksendung“.

#### 8.3 Rekalibrierung

**DKD/DAKS-Schein - amtliche Bescheinigungen:**

Wird das Gerät für Wasserstoffanwendungen eingesetzt, ist eine Rekalibrierung nach 6 Monaten erforderlich. Die Grundeinstellungen werden wenn notwendig korrigiert.

14043170.01.04/2013 GB/D/FE

## 9. Störungen

### 9. Störungen

Bei Störungen zuerst überprüfen, ob der Druckmessumformer mechanisch und elektrisch korrekt montiert ist.

**D**

Störungen	Ursachen	Maßnahmen
Kunststoff ist ausgeblichen	UV-Einstrahlung	Keine Maßnahmen notwendig Verfärbung ist unbedenklich
Kein Ausgangssignal	Leitungsbruch	Durchgang überprüfen, ggf. Leitung austauschen
	Keine/Falsche Hilfsenergie	Hilfsenergie korrigieren
Kein/Falsches Ausgangssignal	Verdrahtungsfehler	Verdrahtung korrigieren
Gleichbleibendes Ausgangssignal bei Druckänderung	Mechanische Überlastung durch Überdruck	Gerät austauschen, bei wiederholtem Ausfall Kontakt mit dem Hersteller aufnehmen.
Signalspanne zu klein/fällt ab	Mechanische Überlastung durch Überdruck	Gerät austauschen, bei wiederholtem Ausfall Kontakt mit dem Hersteller aufnehmen.
	Membranbeschädigung, z. B. durch Schläge, abrasives/aggressives Medium; Korrosion an Membran oder Prozessanschluss; Übertragungsmedium fehlt	Gerät austauschen, bei wiederholtem Ausfall Kontakt mit dem Hersteller aufnehmen.
	Dichtung/Dichtfläche beschädigt oder verschmutzt, Dichtung sitzt nicht korrekt, Gewindegänge verkantet	Dichtung/Dichtfläche säubern, ggf. Dichtung austauschen
Signalspanne schwankend/ungenau	EMV-Störquellen in Umgebung, z. B. Frequenzrichter	Gerät abschirmen; Leitungsabschirmung; Störquelle entfernen
	Zu hohe/niedrige Einsatztemperaturen	Temperatur senken/erhöhen
	Gerät nicht geerdet	Gerät erden
	Stark schwankender Druck des Prozessmediums	Dämpfung; Beratung durch Hersteller
Abweichendes Nullpunktsignal	Zu hohe/niedrige Einsatztemperaturen	Temperatur senken/erhöhen
	Abweichende Einbaulage	Nullpunkt korrigieren
	Überlast-Druckgrenze überschritten	Druck reduzieren

Im unberechtigten Reklamationsfall berechnen wir die Reklamationsbearbeitungskosten.

14043170.01 04/2013 GB/D/FE



## 9. Störungen / 10. Demontage, Rücksendung und Entsorgung

**VORSICHT!**

Können Störungen mit Hilfe der oben aufgeführten Maßnahmen nicht beseitigt werden, ist der Druckmessumformer unverzüglich außer Betrieb zu setzen, sicherzustellen, dass kein Druck bzw. Signal mehr anliegt und gegen versehentliche Inbetriebnahme zu schützen. In diesem Falle Kontakt mit dem Hersteller aufnehmen. Bei notwendiger Rücksendung die Hinweise unter Kapitel 10.2 „Rücksendung“ beachten.

**D**

## 10. Demontage, Rücksendung und Entsorgung

**WARNUNG!**

Messstoffreste in ausgebauten Druckmessumformern können zur Gefährdung von Personen, Umwelt und Einrichtung führen. Ausreichende Vorsichtsmaßnahmen ergreifen.

### 10.1 Demontage

**WARNUNG!**

Verbrennungsgefahr!  
Vor dem Ausbau das Gerät ausreichend abkühlen lassen!  
Beim Ausbau besteht Gefahr durch austretende, gefährlich heiße Messstoffe.

Beim Ausbau des Gerätes darf die dazu erforderliche Kraft nicht über das Gehäuse oder den Blending aufgebracht werden, sondern nur mit geeignetem Werkzeug über die dafür vorgesehene Schlüssel­fläche (siehe Kapitel 6.1.2 „Gerät einbauen“).

Bei vorhandener Kühlstrecke, ist der untere Sechskant zum Ausschrauben zu verwenden (siehe Kapitel 6.1.2 „Gerät einbauen“).

Druckmessumformer nur im drucklosen Zustand demontieren!

14043170.01 04/2013 GB/D/F/E

## 10. Demontage, Rücksendung und Entsorgung

### 10.2 Rücksendung

**WARNUNG!****Beim Versand des Druckmessumformers unbedingt beachten:**

Alle an WIKA gelieferten Druckmessumformer müssen frei von Gefahrstoffen (Säuren, Laugen, Lösungen, etc.) sein.

**D**

Zur Rücksendung des Gerätes die Originalverpackung oder eine geeignete Transportverpackung verwenden.

Um Schäden zu vermeiden, die Sendung als Transport eines hochempfindlichen Messgerätes kennzeichnen.




Hinweise zur Rücksendung befinden sich in der Rubrik „Service“ auf unserer lokalen Internetseite.


### 10.3 Entsorgung

Durch falsche Entsorgung können Gefahren für die Umwelt entstehen.

Gerätekomponenten und Verpackungsmaterialien entsprechend den landesspezifischen Abfallbehandlungs- und Entsorgungsvorschriften umweltgerecht entsorgen.

## Anlage 1: EG-Konformitätserklärung Typ S-20



<p style="text-align: center;"><b>EG-Konformitätserklärung</b></p> <p style="text-align: center;"><b>Dokument Nr.:</b> 14065647.01</p> <p>Wir erklären in alleiniger Verantwortung, dass die mit CE gekennzeichneten Produkte</p> <p><b>Typ:</b> S-20</p> <p><b>Beschreibung:</b> Hochwertiger Druckmessumformer für allgemeine industrielle Anwendungen</p> <p>gemäß gültigem Datenblatt: PE 81.61</p> <p>die grundlegenden Schutzanforderungen der folgenden Richtlinie(n) erfüllen: 97/23/EG (DGRL)<sup>(1)</sup> 2004/108/EG (EMV)</p> <p>Die Geräte wurden entsprechend den folgenden Normen geprüft: EN 61326-1:2006 EN 61326-2-3:2006</p> <p>(1) PS &gt; 200 bar; Modul A, druckhaltendes Ausrüstungsteil</p> <p>Unterschrift für und im Namen von / Signed for and on behalf of <b>WIKAI Alexander Wiegand SE &amp; Co. KG</b> Klingenberg, 2013-02-21 Geschäftsbereich / Company division: TRONIC</p> <p> Stefan Richter</p> <p style="font-size: small;">Unterschrift, autorisiert durch das Unternehmen / Signature authorized by the company</p>	<p style="text-align: center;"><b>EC Declaration of Conformity</b></p> <p style="text-align: center;"><b>Document No.:</b> 14065647.01</p> <p>We declare under our sole responsibility that the CE marked products</p> <p><b>Model:</b> S-20</p> <p><b>Description:</b> High-quality pressure transmitter for general industrial applications</p> <p>according to the valid data sheet: PE 81.61</p> <p>are in conformity with the essential protection requirements of the directive(s) 97/23/EC (PED)<sup>(1)</sup> 2004/108/EC (EMC)</p> <p>The devices have been tested according to the following standards: EN 61326-1:2006 EN 61326-2-3:2006</p> <p>(1) PS &gt; 200 bar; Module A, pressure accessory</p> <p>Qualitätsmanagement / Quality management: TRONIC</p> <p> Steffen Schlesiona</p>
---	---

14043170.01 04/2013 GB/D/F/E



**D**

**Sommaire**

# Sommaire

<b>1. Généralités</b>	<b>50</b>
<b>2. Sécurité</b>	<b>52</b>
<b>3. Spécifications</b>	<b>55</b>
<b>4. Conception et fonction</b>	<b>59</b>
<b>5. Transport, emballage et stockage</b>	<b>60</b>
<b>6. Mise en service, exploitation</b>	<b>61</b>
<b>7. Réglage du point zéro</b>	<b>66</b>
<b>8. Entretien et nettoyage</b>	<b>67</b>
<b>9. Dysfonctionnements</b>	<b>68</b>
<b>10. Démontage, retour et mise au rebut</b>	<b>69</b>
<b>Annexe 1: Déclaration de conformité CE type S-20</b>	<b>93</b>

**F**

1-4043170.01.04/2013 GB/D/FE

Déclarations de conformité disponibles sur [www.wika.fr](http://www.wika.fr).

WIKA Mode d'emploi transmetteur de pression, type S-20

49

## 1. Généralités

### 1. Généralités

- Le transmetteur décrit dans le mode d'emploi est conçu et fabriqué selon les dernières technologies en vigueur. Tous les composants sont soumis à des critères de qualité et d'environnement stricts durant la fabrication. Nos systèmes de gestion sont certifiés selon ISO 9001 et ISO 14001.
- Ce mode d'emploi donne des indications importantes concernant l'utilisation de l'instrument. Il est possible de travailler en toute sécurité avec ce produit en respectant toutes les consignes de sécurité et d'utilisation.
- F** ■ Respecter les prescriptions locales de prévention contre les accidents et les prescriptions générales de sécurité en vigueur pour le domaine d'application de l'instrument.
- Le mode d'emploi fait partie de l'instrument et doit être conservé à proximité immédiate de l'instrument et accessible à tout moment pour le personnel qualifié.
- Le personnel qualifié doit, avant de commencer toute opération, avoir lu soigneusement et compris le mode d'emploi.
- La responsabilité du fabricant n'est pas engagée en cas de dommages provoqués par une utilisation non conforme à l'usage prévu, de non respect de ce mode d'emploi, d'utilisation de personnel peu qualifié de même qu'en cas de modifications de l'instrument effectuées par l'utilisateur.
- Les conditions générales de vente mentionnées dans les documents de vente s'appliquent.
- Sous réserve de modifications techniques.
- Pour obtenir d'autres informations :
  - Consulter notre site internet : [www.wika.fr](http://www.wika.fr)
  - Fiche technique correspondante : PE 81.61
  - Conseiller applications :
    - Tel. : (+33) 1 343084-84
    - Fax : (+33) 1 343084-94
    - E-Mail : [info@wika.fr](mailto:info@wika.fr)



## 1. Généralités

### Explication des symboles

**AVERTISSEMENT !**

... indique une situation présentant des risques susceptibles de provoquer la mort ou des blessures graves si elle n'est pas évitée.

**ATTENTION !**

... indique une situation potentiellement dangereuse et susceptible de provoquer de légères blessures ou des dommages matériels et pour l'environnement si elle n'est pas évitée.

**F****Information**

... met en exergue les conseils et recommandations utiles de même que les informations permettant d'assurer un fonctionnement efficace et normal.

**AVERTISSEMENT !**

... indique une situation présentant des risques susceptibles de provoquer des brûlures dues à des surfaces ou liquides chauds si elle n'est pas évitée.

### Abréviations

2 fils	Les deux lignes de raccordement servent à l'alimentation en tension. Le signal de mesure fournit également le courant d'alimentation.
3 fils	Deux lignes de raccordement servent à l'alimentation en alimentation Un câble de raccordement est utilisé pour le signal de mesure.
U <sub>B</sub>	Borne d'alimentation positive
0V	Borne d'alimentation négative
S <sub>+</sub>	Borne de sortie positive

14043170.01 04/2013 GB/D/F/E

## 2. Sécurité

### 2. Sécurité

**AVERTISSEMENT !**

Avant le montage, la mise en service et le fonctionnement, s'assurer que le transmetteur de pression a été choisi de façon adéquate, en ce qui concerne l'étendue de mesure, la version et les conditions de mesure spécifiques.

Un non respect de cette consigne peut entraîner des blessures corporelles graves et/ou des dégâts matériels.

**F****AVERTISSEMENT !**

- N'ouvrez les connexions qu'après que le système ait été dépressurisé.
- Observez les conditions de fonctionnement conformément au chapitre 3 "Spécifications".



Vous trouverez d'autres consignes de sécurité dans les sections individuelles du présent mode d'emploi.

#### 2.1 Utilisation conforme à l'usage prévu

Le transmetteur de pression permet de convertir la pression en un signal électrique.

Dans les applications à base d'hydrogène, l'utilisation du transmetteur n'est autorisée que lorsque la température du fluide et la température ambiante de 30 °C ne sont pas dépassées. Ce transmetteur de pression n'est pas adapté pour les applications à contact direct avec les produits alimentaires.

L'instrument est conçu et construit exclusivement pour une utilisation conforme à l'usage prévu décrit ici et ne doit être utilisé qu'en conséquence.

Les spécifications techniques mentionnées dans ce mode d'emploi doivent être respectées. En cas d'utilisation inadéquate ou de fonctionnement du transmetteur de pression en dehors des spécifications techniques, un arrêt et contrôle doivent être immédiatement effectués par un collaborateur autorisé du service de WIKA.

Aucune réclamation ne peut être recevable en cas d'utilisation non conforme à l'usage prévu.

## 2. Sécurité

### 2.2 Qualification du personnel

**AVERTISSEMENT !****Danger de blessure en cas de qualification insuffisante !**

Une utilisation non conforme peut entraîner d'importants dommages corporels et matériels.

Les opérations décrites dans ce mode d'emploi ne doivent être effectuées que par un personnel ayant la qualification décrite ci-après.

**Personnel qualifié**

Le personnel qualifié est, en raison de sa formation spécialisée, de ses connaissances dans le domaine de la technique de mesure et de régulation et de ses expériences de même que de sa connaissance des prescriptions nationales, des normes et directives en vigueur, en mesure d'effectuer les travaux décrits et de reconnaître automatiquement les dangers potentiels.

**F**

Les conditions d'utilisation spéciales exigent également une connaissance adéquate par exemple des liquides agressifs.

### 2.3 Dangers particuliers

**AVERTISSEMENT !**

Dans le cas de fluides de mesure dangereux comme notamment l'oxygène, l'acétylène, les substances combustibles ou toxiques, ainsi que dans le cas d'installations de réfrigération, de compresseurs etc., les directives appropriées existantes doivent être observées en plus de l'ensemble des règles générales.

**AVERTISSEMENT !**

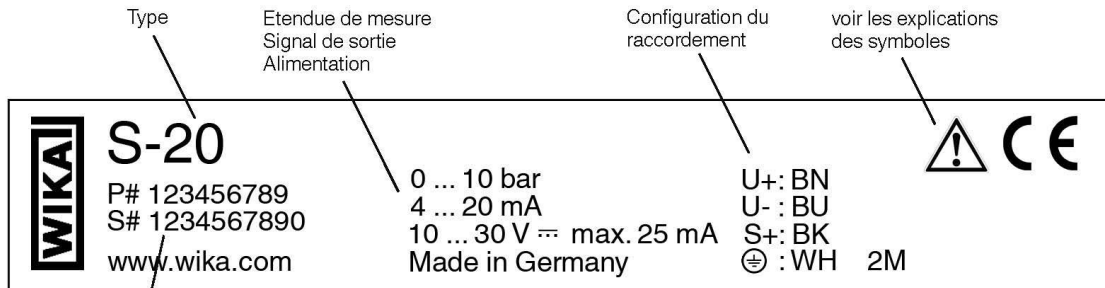
Les restes de fluides se trouvant dans les transmetteurs de pression démontés peuvent mettre en danger les personnes, l'environnement ainsi que l'installation.

Prendre des mesures de sécurité suffisantes.

## 2. Sécurité

### 2.4 Etiquetage / marquages de sécurité

#### Plaque signalétique



P# numéro produit  
S# numéro de série

Si le numéro de série devient illisible à cause de dommages mécaniques ou de peinture, aucune traçabilité n'est plus possible.

#### Explication des symboles



**CE, Communauté Européenne**  
Les instruments avec ce marquage sont conformes aux directives européennes pertinentes.

## 3. Spécifications

## 3. Spécifications

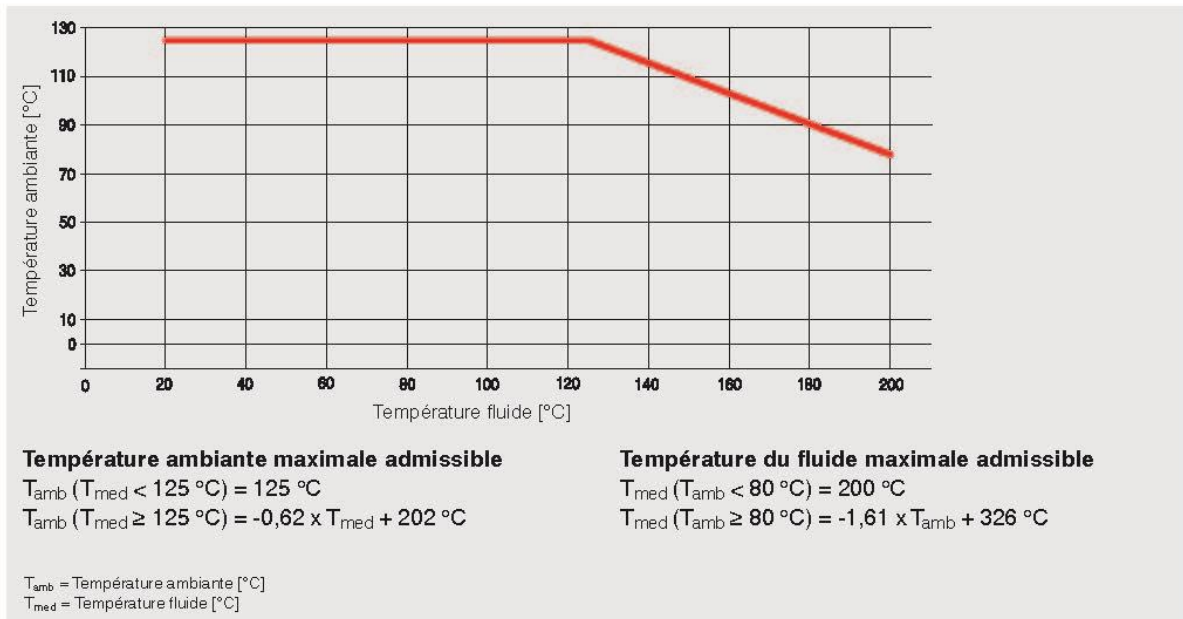
### Plages de température admissibles

Fluide	Ambiante	Version
-30 ... +100 °C	-30 ... +100 °C	-
-40 ... +125 °C	-40 ... +125 °C	-
-40 ... +150 °C	-40 ... +125 °C <sup>1)</sup>	avec élément de refroidissement
-40 ... +200 °C	-40 ... +125 °C <sup>1)</sup>	avec élément de refroidissement
-20 ... +60 °C	-20 ... +60 °C	Applications avec oxygène

**F**

1) Courbe et formule de réduction de puissance

En fonction du choix du joint d'étanchéité sur le raccord process et le raccordement électrique, il peut en résulter des limitations dans la température ambiante et la température du fluide.



1-4043170-01 04/2013 GB/D/F/E

## 3. Spécifications

Raccordement électrique	Température maximale admissible
Connecteur coudé DIN 175301-803 A	-30 ... +100 °C
Connecteur coudé DIN 175301-803 C	-30 ... +100 °C
Connecteur circulaire M12 x 1 (4-plots)	-30 ... +100 °C
Connecteur circulaire M12 x 1 (4-plots, métallique)	-40 ... +125 °C (cULus : +85 °C)
Connecteur à baïonnette (6 plots)	-40 ... +125 °C
Boîtier de terrain	-25 ... +100 °C
Connecteur haute résistance	-40 ... +125 °C
Sortie câble IP 67	-30 ... +100 °C
Conduit de sortie câble ½ NPT	-30 ... +100 °C (cULus : +90 °C)
Sortie câble IP 68	-30 ... +125 °C (cULus : +90 °C)
Sortie câble IP 68, FEP	-40 ... +125 °C (cULus : +105 °C)
Sortie câble IP 68K	-30 ... +125 °C (cULus : +90 °C)

F

### Classe climatique

Stockage : 1K3 (selon EN 60721-3-1)

Transport : 2K2 (selon EN 60721-3-2)

Température de service : 4K4H (selon EN 60721-3-4, sans condensation ou givrage)

### Résistance aux vibrations (par CEI 60068-2-6)

20 g, 10 ... 2.000 Hz, (40 g, 10 ... 2.000 Hz pour connecteur haute résistance)

Pour les instruments avec éléments de refroidissement, une résistance aux vibrations limitée de 10 g s'applique (10 ... 2.000 Hz)

### Résistance aux vibrations continues (selon CEI 60068-2-6)

10 g

### Résistance aux chocs (par CEI 60068-2-27)

100 g, 6 ms (500 g, 1 ms pour connecteur haute résistance)

### Test de chute libre (selon CEI 60721-3-2)

Emballage individuel : 1,5 m

Emballage multiple : 0,5 m

Sac PE : 0,5 m



## 3. Spécifications

### Etanchéité aux vide

Oui

### Limite de surpression

La limite de surpression se base sur l'élément de capteur utilisé. En fonction du raccord process sélectionné et du joint d'étanchéité, la surpression admissible peut s'en trouver réduite. Une limite de surpression supérieure provoque une erreur de température plus élevée.

Etendue de mesure < 10 bar/150 psi	≥ 10 bar/150 psi
<b>3 fois (standard)</b>	<b>2 fois <sup>1)</sup> (standard)</b>
5 fois	3 fois <sup>2) 3)</sup>

**F**

- 1) Limitation : max. 60 bar/870 psi avec pression absolue  
 2) Possible uniquement pour les étendues de mesure de pression relative ≤ 400 bar ou 5.800 psi  
 3) Possible uniquement pour les étendues de mesure de pression absolue < 16 bar ou 220 psi

Raccord process	Surpression admissible maximale
G 1/8 B	800 bar
G 1/4 B, G 1/4 B femelle, G 3/8 B	1.400 bar
G 1/2 B	1.800 bar (1.4404), 3.200 bar (1.4542)
G 1/4 A, G 1/2 A, M14 x 1,5, M12 x 1,5	600 bar
M20 x 1,5	1.800 bar (1.4404) 3.300 bar (1.4542)
7/16-20 UNF BOSS	600 bar
7/16-20 UNF J514 cône d'étanchéité 74°	1.100 bar
9/16-18 UNF BOSS	600 bar
1/8 NPT	1.100 bar
1/4 NPT, 1/4 NPT femelle	1.500 bar
1/2 NPT	1.500 bar (1.4404), 2.800 bar (1.4542)
PT 1/4	1.600 bar
PT 1/2	1.500 bar
PT 3/8	1.400 bar
R 1/4	1.600 bar
R 1/2	1.500 bar
R 3/8	1.400 bar (1.4404), 2.840 bar (1.4542)

Tous les raccords process associés avec un élément de refroidissement possèdent une limite de surpression maximale de 400 bar.

1-4043170.01 04/2013 GB/ID/FE

## 3. Spécifications

### Indice de protection

Raccordement électrique	Indice de protection
Connecteur coudé DIN 175301-803 A	IP 65
Connecteur coudé DIN 175301-803 C	IP 65
Connecteur circulaire M12 x 1 (4-plots)	IP 67
Connecteur circulaire M12 x 1 (4-plots, métallique)	IP 67
Connecteur à baïonnette (6 plots)	IP 67
Boîtier de terrain	IP 6K9K
Connecteur haute résistance	IP 68
Sortie câble IP 67	IP 67
Conduit de sortie câble ½ NPT	IP 67
Sortie câble IP 68	IP 68
Sortie câble IP 68, FEP	IP 68
Sortie câble IP 6K9K	IP 6K9K

F

### Mesures de protection électrique

Les mesures de protection électrique ne sont pas valables pour les signaux de sortie ratiométriques.

- Résistance court-circuit :  $S_+$  contre  $U_-$
- Protection inversions de polarité :  $U_+$  contre  $U_-$
- Résistance aux surtensions : 40 VDC (cULus : 35 VDC)
- Tension d'isolement : 750 VDC, non adapté pour la protection contre l'électrocution

### Conformité CE

- Directive CEM : 2004/108/CE, EN 61326 émission (groupe 1, classe B) et immunité d'interférence (application industrielle)
- Directive relative aux équipements sous pression : 97/23/CE

### Champ électromagnétique

30 V/m (80 ... 1.000 MHz)

### Conformité RoHS

Compatibles RoHS

### 3. Particularités / 4. Conception et fonction

Pour les numéros de type spéciaux, par exemple S-20000, prière de tenir compte des spécifications figurant sur la notice de livraison.

Pour de plus amples spécifications, voir la fiche technique WIKA PE 81.61 et la documentation de commande.

### 4. Conception et fonction

#### 4.1 Description

La pression de référence est mesurée sur l'élément capteur par la déformation d'une membrane. En fournissant du courant, on convertit cette déformation de la membrane en un signal électrique. Le signal de sortie en provenance du transmetteur de pression est amplifié et standardisé. Le signal de sortie est proportionnel à la pression mesurée.

**F**

#### 4.2 Détail de la livraison

Comparer le détail de la livraison avec le bordereau de livraison.

## 5. Transport, emballage et stockage

### 5. Transport, emballage et stockage

#### 5.1 Transport

Vérifier s'il existe des dégâts sur le transmetteur de pression liés au transport.  
Communiquer immédiatement les dégâts constatés.

#### 5.2 Emballage

N'enlever l'emballage qu'avant le montage.

**F**

Conserver l'emballage, celui-ci offre, lors d'un transport, une protection optimale (par ex. changement de lieu d'utilisation, renvoi pour réparation).

#### 5.3 Stockage

##### Conditions admissibles sur le lieu de stockage :

- Température de stockage : -40 ... +70 °C
- Humidité : 67 % d'humidité relative (sans condensation)

##### Eviter les influences suivantes :

- Lumière solaire directe ou proximité d'objets chauds
- Vibrations mécaniques, chocs mécaniques (mouvements brusques en le posant)
- Suie, vapeur, poussière et gaz corrosifs
- Environnement humide et mouillé
- Environnement présentant des risques d'explosion, atmosphères inflammables

Conserver le pression différentielle dans l'emballage original dans un endroit qui satisfait aux conditions susmentionnées.



##### AVERTISSEMENT !

Enlever tous les restes de fluides adhérents avant l'entreposage de l'instrument (après le fonctionnement). Ceci est particulièrement important lorsque le fluide représente un danger pour la santé, comme p. ex. des substances corrosives, toxiques, cancérigènes, radioactives etc.

## 6. Mise en service, exploitation

### 6. Mise en service, exploitation

#### 6.1 Montage mécanique

Utiliser uniquement des accessoires d'origine. Pour les accessoires, voir la fiche technique PE 81.61.

##### 6.1.1 Etanchéité du raccord process



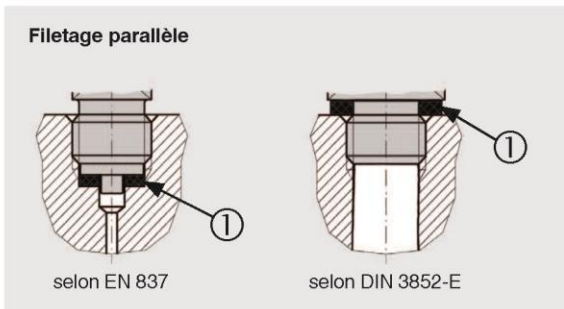
#### AVERTISSEMENT !

Danger de brûlure !

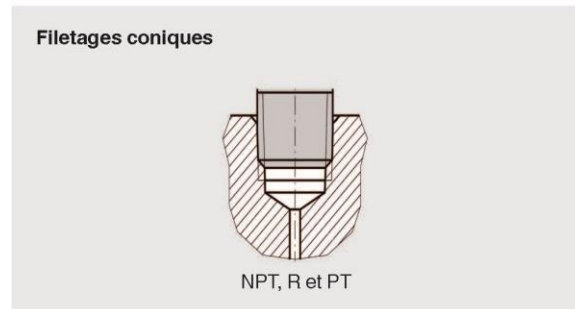
L'élément de refroidissement peut être chaud du fait de son utilisation. Laisser refroidir l'élément de refroidissement avant de l'utiliser.

**F**

Les surfaces d'étanchéité sur l'instrument doivent être non-endommagées et propres.



Pour assurer l'étanchéité des raccords process avec filetages parallèles à la surface d'étanchéité (1), il faut utiliser des joints plats, des bagues d'étanchéité ou les joints à écrasement WIKA.



Pour des raccords process avec filetages coniques, l'étanchéité sur le filetage doit se faire en utilisant en plus un matériau d'étanchéité comme par exemple la bande PTFE (selon EN 837-2).

14043170.01 04/2013 GB/D/F/E



Pour obtenir plus d'informations sur le scellage, voir la fiche de données WIKA AC 09.08 ou sous [www.wika.fr](http://www.wika.fr).

## 6. Mise en service, exploitation

### 6.1.2 Installation de l'instrument



#### AVERTISSEMENT !

Danger de brûlure !

L'élément de refroidissement peut être chaud du fait de son utilisation. Laisser refroidir l'élément de refroidissement avant de l'utiliser.

**F**

- Lors du vissage de l'instrument, le couple de serrage ne doit pas être appliqué sur le boîtier ou la bague du capuchon, mais seulement sur les surfaces prévues et ce avec un outil approprié.

En présence d'un élément de refroidissement, le six pans inférieur doit être utilisé pour le serrage (voir la figure "Montage d'un élément de refroidissement").

Le couple correct dépend des dimensions du raccord process et du joint utilisé (forme/matériau).

- Lorsque vous vissez, ne pas croiser les filets.
- Pour assurer la dissipation de la chaleur, l'élément de refroidissement ne doit pas être isolé.
- Si l'instrument est monté à l'envers, il faut s'assurer que l'eau ne peut pas stagner au niveau du raccordement électrique et sur la bague du capuchon. L'eau peut bloquer la membrane de compensation de la pression.



Pour obtenir des informations concernant les trous taraudés et les embases à souder, voir les Informations techniques IN 00.14 sur [www.wika.fr](http://www.wika.fr).



Type S-20 sans élément de refroidissement



Montage d'un élément de refroidissement



## 6. Mise en service, exploitation

### 6.2 Montage électrique

Utiliser uniquement des accessoires d'origine. Pour les accessoires, voir la fiche technique PE 81.61.



#### AVERTISSEMENT !

Le blindage de l'instrument ne fait pas office de conducteur de protection du personnel, mais plutôt d'une mise à la terre fonctionnelle afin de protéger l'instrument contre les champs électromagnétiques.

#### 6.2.1 Connexion


- Un câble blindé doit être utilisé pour les instruments à signaux de sortie ratiométriques. Le blindage du câble doit être mis à la terre, si le câble mesure plus de 30 m ou sort du bâtiment.
- Utiliser un câble avec des caractéristiques adaptées pour les conditions d'exploitation particulières.
- Pour les variantes de câble, une décharge de traction doit être utilisée.
- Les câbles dotés de tubes de ventilation doivent être ventilés dans l'atmosphère.
- L'instrument doit être mis à la terre par le raccord process.
- Choisir un diamètre de câble qui correspond au presse étoupe. Assurez-vous que le passe-câble de la prise montée est bien serré et que les joints sont bien présents et intacts. Serrer la liaison filetée et vérifier que le joint est bien fixé pour que l'ensemble soit bien serré.
- Protéger les départs de câble contre la pénétration d'humidité.

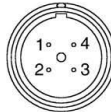
**F**

#### Spécifications de configuration d'installation des contre-connecteurs

Contre-connecteurs pour le raccordement électrique	Section du conducteur	Diamètre de câble
Connecteur coudé DIN 175301-803 A	max. 1,5 mm <sup>2</sup>	6 ... 8 mm
Connecteur coudé DIN 175301-803 C	max. 0,75 mm <sup>2</sup>	4,5 ... 6 mm

#### 6.2.2 Configuration du raccordement :

Connecteur circulaire M12 x 1 (4-plots)	2 fils		3 fils	
		U <sub>+</sub>	1	U <sub>-</sub>
	U <sub>-</sub>	3	U <sub>+</sub>	3
	S <sub>+</sub>	-	S <sub>-</sub>	4
	Blindage	Boîtier	Blindage	Boîtier

Connecteur haute résistance	2 fils		3 fils	
		U <sub>+</sub>	1	U <sub>-</sub>
	U <sub>-</sub>	2	U <sub>+</sub>	2
	S <sub>+</sub>	-	S <sub>-</sub>	3
	Blindage	Boîtier	Blindage	Boîtier

14043170.01 04/2013 GB/D/F/E

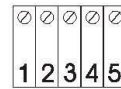
## 6. Mise en service, exploitation

### Sortie câble (code US)



	2 fils	3 fils
U <sub>+</sub>	rouge (RD)	rouge (RD)
U <sub>-</sub>	noir (BK)	noir (BK)
S <sub>+</sub>	-	blanc (WH)
Blindage	gris (GY)	gris (GY)

### Boîtier de terrain



	2 fils	3 fils
U <sub>+</sub>	1	1
U <sub>-</sub>	2	2
S <sub>+</sub>	-	3
Blindage	5	5

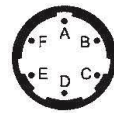
## F

### Sortie câble, contre-connecteur avec câble moulé inclus



	2 fils	3 fils
U <sub>+</sub>	marron (BN)	marron (BN)
U <sub>-</sub>	bleu (BU)	bleu (BU)
S <sub>+</sub>	-	noir (BK)
Blindage	gris (GY)	gris (GY)

### Connecteur à baïonnette (6 plots)



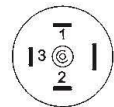
	2 fils	3 fils
U <sub>+</sub>	A	A
U <sub>-</sub>	B	B
S <sub>+</sub>	-	C
Blindage	Boîtier	Boîtier

### Connecteur coudé DIN 175301-803 A



	2 fils	3 fils
U <sub>+</sub>	1	1
U <sub>-</sub>	2	2
S <sub>+</sub>	-	3
Blindage	4	4

### Connecteur coudé DIN 175301-803 C



	2 fils	3 fils
U <sub>+</sub>	1	1
U <sub>-</sub>	2	2
S <sub>+</sub>	-	3
Blindage	4	4

### 6.2.3 Définition d'une tension d'alimentation

L'alimentation en tension est assurée par le biais d'une unité d'alimentation ou d'une unité de commande qui assure la limitation d'énergie.

L'alimentation d'un transmetteur de pression doit être faite par un circuit électrique limité en énergie en accord avec la Section 9.3 de UL / EN / IEC 61010-1, ou un LPS à UL / EN / IEC 60950-1, ou Class 2 en accord avec UL1310/UL1585 (NEC ou CEC). L'alimentation doit être capable de fonctionner au-dessus de 2.000 m dans le cas où le transmetteur de pression serait utilisé à cette altitude.

## 6. Mise en service, exploitation

L'alimentation admissible dépend du signal de sortie correspondant.  
Avec l'homologation cULus : 35 VDC (32 VDC avec connecteur haute résistance)

Signal de sortie	Alimentation
4 ... 20 mA	8 ... 36 VDC (12 ... 36 VDC avec durée de stabilisation de 1 ms en option)
20 ... 4 mA	8 ... 36 VDC
0 ... 10 VDC	12 ... 36 VDC
0 ... 5 VDC	8 ... 36 VDC
1 ... 5 VDC	8 ... 36 VDC
0,5 ... 4,5 VDC	8 ... 36 VDC
1 ... 6 VDC	9 ... 36 VDC
10 ... 0 VDC	12 ... 36 VDC
0,5 ... 4,5 VDC	5 VDC ±10 %

**F**

Signal de sortie	Charge en $\Omega$
Sortie courant	$\leq$ (alimentation - 7,5 V) / 0,023 A $\leq$ (alimentation électrique - 11,5 V) / 0,023 A (avec durée de stabilisation de 1 ms en option)
Sortie tension	> tension de sortie maximale / 1 mA
Sortie ratiométrique	> 4,5 k $\Omega$

### Perte par dissipation

- Sortie courant : 828 mW (22 mW/K réduction de puissance de la perte par dissipation avec températures ambiantes  $\geq 100$  °C)
- Sortie tension : 432 mW

### Alimentation en courant

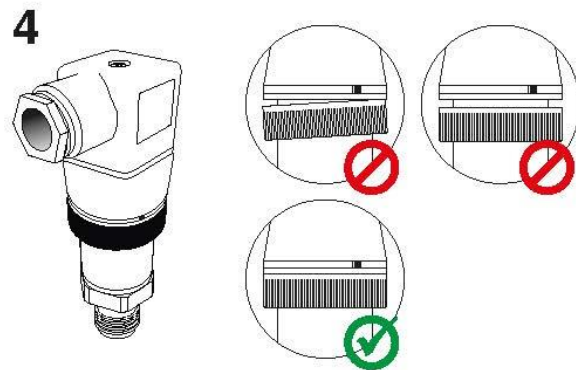
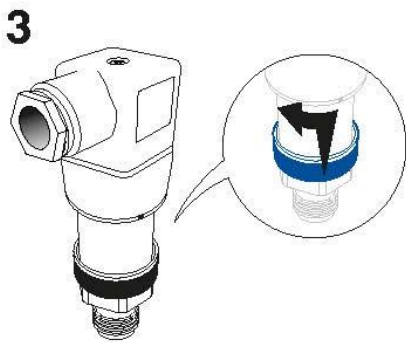
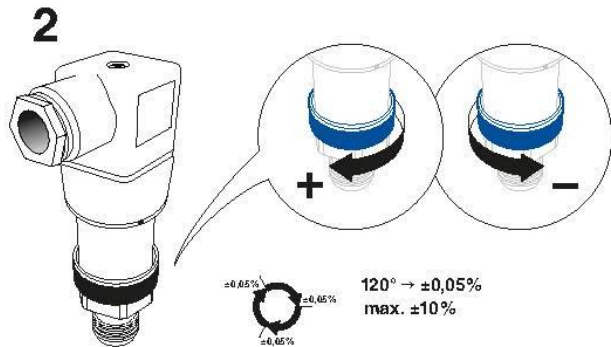
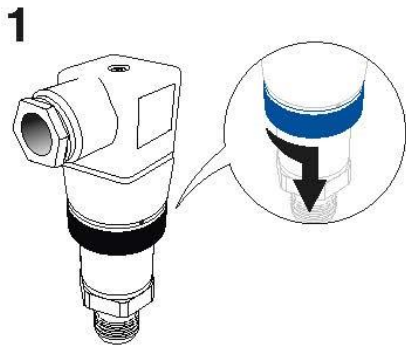
- Sortie courant : Signal de courant, maximum 25 mA
- Sortie tension : max. 12 mA

1-4043170.01.04/2013 GB/ID/FE

7. Réglage du point zéro

7. Réglage du point zéro

F



## 8. Entretien et nettoyage

### 8. Entretien et nettoyage

#### 8.1 Entretien

Ce transmetteur de pression ne nécessite aucun entretien.  
Les réparations ne doivent être effectuées que par le fabricant.

#### 8.2 Nettoyage



##### ATTENTION !

- Avant le nettoyage, il est impératif de mettre le transmetteur de pression hors pression, de le mettre hors circuit et de le débrancher du secteur.
- Nettoyer le calibre de pression portable avec un chiffon humide.
- Laver ou nettoyer l'instrument démonté avant de le renvoyer, afin de protéger les personnes et l'environnement contre le danger lié aux restes de fluides adhérents.
- Les restes de fluides se trouvant dans des appareils démontés peuvent mettre en danger les personnes, l'environnement ainsi que l'installation. Prendre des mesures de sécurité suffisantes.
- Ne pas utiliser d'objets pointus ou durs pour le nettoyage afin de ne pas endommager la membrane du raccord process.

**F**

Indications concernant le retour de l'appareil, voir chapitre 10.2 "Retour".

#### 8.3 Nouvel étalonnage

##### **Certificat DKD/DAkkS (service allemand d'étalonnage) - certificats officiels :**

Si l'instrument est utilisé pour des applications à base d'hydrogène, un nouvel étalonnage est requis 6 mois plus tard.  
Les réglages de base sont corrigés, si nécessaire.



## 9. Dysfonctionnements

### 9. Dysfonctionnements

Dans le cas de pannes, vérifier d'abord si le transmetteur de pression est monté correctement, mécaniquement et électriquement.

Dysfonctionnements	Raisons	Mesures
Le plastique s'affadit	Rayonnement UV	Pas de mesure requise La décoloration n'a aucune conséquence.
F Pas de signal de sortie	Câble sectionné	Vérifier le continuité, et si nécessaire changer le câble.
	Pas de/mauvaise alimentation	Corriger l'alimentation
Pas de/mauvais signal de sortie	Erreur de raccordement électrique	Corriger le raccordement
Signal de sortie constant après une variation de pression	Surcharge mécanique causé par une surpression	Remplacer l'instrument ; s'il tombe en panne de manière répétée, contacter le fabricant
Plage de signaux trop petite/tombe	Surcharge mécanique causé par une surpression	Remplacer l'instrument ; s'il tombe en panne de manière répétée, contacter le fabricant
	Membrane endommagée, par exemple à cause d'impacts, de fluides abrasifs/ agressifs ; corrosion sur la connexion diaphragme ou raccord process ; fluide de transmission absent	Remplacer l'instrument ; s'il tombe en panne de manière répétée, contacter le fabricant
	Étanchéité/surface d'étanchéité endommagée/souillée, l'étanchéité n'est pas jointif, les filetages sont coincés	Nettoyer l'étanchéité/la surface d'étanchéité, remplacer l'étanchéité si possible
Plage de signaux varie/n'est pas précis	Sources d'interférence CEM dans l'environnement ; par exemple convertisseur de fréquence	Instrument blindé ; câble blindé ; Se débarrasser de la source d'interférence
	Température de fonctionnement trop élevée/ trop basse	Baisser/augmenter la température
	Instrument non mis à la terre	Mettez l'instrument à la terre
	Pression du fluide de process qui varie fortement	Amortissement ; consultation auprès du fabricant
Déviation du signal de point zéro	Température de fonctionnement trop élevée/ trop basse	Baisser/augmenter la température
	Autre position de montage	Réglage du point zéro.
	Limite de surpression dépassée	Réduire la pression

Si la réclamation n'est pas justifiée, nous vous facturerons les frais de traitement de la réclamation



**9. Dysfonctionnements / 10. Démontage, retour et mise au rebut****ATTENTION !**

Si des dysfonctionnements ne peuvent pas être éliminées à l'aide des mesures indiquées ci-dessus, arrêter immédiatement le transmetteur de pression et s'assurer de l'absence de pression et/ou de signal. Puis, sécuriser l'instrument afin d'empêcher toute remise en service involontaire. Contacter dans ce cas le fabricant. S'il est nécessaire de retourner l'instrument au fabricant, respecter les indications mentionnées au chapitre 10.2 "Retour".

**10. Démontage, retour et mise au rebut****F****AVERTISSEMENT !**

Les restes de fluides se trouvant dans les transmetteurs de pression démontés peuvent mettre en danger les personnes, l'environnement ainsi que l'installation. Prendre des mesures de sécurité suffisantes.

**10.1 Démontage****AVERTISSEMENT !**

Danger de brûlure !  
Avant le démontage, laisser refroidir suffisamment l'instrument !  
Danger de brûlure lié à la sortie de fluides dangereux chauds.

Lors du retrait de l'instrument, le couple de serrage ne doit pas être appliqué sur le boîtier ou sur la bague du capuchon, mais seulement sur les surfaces prévues et ce avec un outil approprié (voir le chapitre 6.1.2 "Installation de l'instrument").

En présence d'un élément de refroidissement, le six pans inférieur doit être utilisé pour le dévissage (voir le chapitre 6.1.2 "Installation de l'instrument").

Déconnectez le transmetteur de pression uniquement une fois que le système a été mis hors pression !

1-4043170-01 04/2013 GB/D/F/E

## 10. Démontage, retour et mise au rebut

### 10.2 Retour



#### AVERTISSEMENT !

**En cas d'envoi du transmetteur de pression, il faut respecter impérativement ceci :**

Tous les transmetteurs de pression envoyés à WIKA doivent être exempts de toute substance dangereuse (acides, solutions alcalines, solutions, etc.).

Pour retourner l'instrument, utiliser l'emballage original ou un emballage adapté pour le transport.

**F**

Indiquer lors de l'envoi qu'il s'agit d'un instrument de mesure très sensible à transporter afin d'éviter toute détérioration.



Des informations relatives à la procédure de retour de produit(s) défectueux sont disponibles sur notre site internet au chapitre "Services".

### 10.3 Mise au rebut

Une mise au rebut inadéquate peut entraîner des dangers pour l'environnement.

Éliminer les composants des instruments et les matériaux d'emballage conformément aux prescriptions nationales pour le traitement et l'élimination des déchets et aux lois de protection de l'environnement en vigueur.

**Contenido**

# Contenido

<b>1. Información general</b>	<b>72</b>
<b>2. Seguridad</b>	<b>74</b>
<b>3. Datos técnicos</b>	<b>77</b>
<b>4. Diseño y función</b>	<b>81</b>
<b>5. Transporte, embalaje y almacenamiento</b>	<b>82</b>
<b>6. Puesta en servicio, funcionamiento</b>	<b>83</b>
<b>7. Ajuste del punto cero</b>	<b>88</b>
<b>8. Mantenimiento y limpieza</b>	<b>89</b>
<b>9. Errores</b>	<b>90</b>
<b>10. Desmontaje, devolución y eliminación de residuos</b>	<b>91</b>
<b>Anexo 1: Declaración CE de conformidad modelo S-20</b>	<b>93</b>

**E**

Declaraciones de conformidad puede encontrar en [www.wika.es](http://www.wika.es).

WIKA manual de instrucciones transmisor de presión, modelo S-20

71

1-4043170.01.04/2013 GB/D/FE

## 1. Información general

### 1. Información general

- El transmisor de presión descrito en el manual de instrucciones está construido y fabricado según el estado actual de la técnica. Todos los componentes están sujetos a rigurosos criterios de calidad y medio ambiente durante la producción. Nuestros sistemas de gestión están certificados según ISO 9001 e ISO 14001.
- Este manual de instrucciones proporciona indicaciones importantes acerca del manejo del instrumento. Para un trabajo seguro, es imprescindible cumplir con todas las instrucciones de seguridad y manejo indicadas.
- Cumplir siempre las normativas sobre la prevención de accidentes y las normas de seguridad en vigor en el lugar de utilización del instrumento.
- E** ■ El manual de instrucciones es una parte integrante del instrumento y debe guardarse en la proximidad del mismo para que el personal especializado pueda consultarlo en cualquier momento.
- El personal especializado debe haber leído y entendido el manual de instrucciones antes de comenzar cualquier trabajo.
- El fabricante queda exento de cualquier responsabilidad en caso de daños causados por un uso no conforme a la finalidad prevista, la inobservancia del presente manual de instrucciones, un manejo por personal insuficientemente cualificado así como una modificación no autorizada del instrumento.
- Se aplican las condiciones generales de venta incluidas en la documentación de venta.
- Modificaciones técnicas reservadas.
- Para obtener más informaciones consultar:
  - Página web: [www.wika.es](http://www.wika.es)
  - Hoja técnica correspondiente: PE 81.61
  - Servicio técnico:
 

Tel.:	(+34) 933 938-630
Fax:	(+34) 933 938-666
E-Mail:	info.ex@wika.es

## 1. Información general

### Explicación de símbolos

**¡ADVERTENCIA!**

... indica una situación probablemente peligrosa que puede causar la muerte o lesiones graves si no se la evita.

**¡CUIDADO!**

... indica una situación probablemente peligrosa que puede causar lesiones leves o medianas, o daños materiales y medioambientales, si no se la evita.

**Información**

... marca consejos y recomendaciones útiles así como informaciones para una utilización eficaz y libre de fallos.

**¡ADVERTENCIA!**

... indica una situación probablemente peligrosa que pueda causar quemaduras debido a superficies o líquidos calientes si no se evita.

**E**

### Abreviaturas

- 2 hilos**    Los dos líneas de conexión se utilizan para la alimentación de corriente.  
La alimentación se realiza a través de la señal de medición.
- 3 hilos**    Se utilizan dos líneas de conexión para la alimentación de corriente.  
Una línea de conexión es utilizada para la señal de medición.
- U<sub>B</sub>**       Alimentación positiva
- 0V**       Alimentación negativa
- S+**       Conexión positiva de la medición

1-4043170-01 04/2013 GB/D/F/E

## 2. Seguridad

### 2. Seguridad



**¡ADVERTENCIA!**

Antes del montaje, la puesta servicio y el funcionamiento asegurarse de que se haya seleccionado el transmisor de presión adecuado con respecto a rango de medida, versión y condiciones de medición específicas.

Riesgo de lesiones graves y/o daños materiales en caso de inobservancia.



**¡ADVERTENCIA!**

- Abrir las conexiones sólo cuando no estén sometidas a presión.
- Tener en cuenta los parámetros de servicio según el capítulo 3 "Datos técnicos".

**E**



Los distintos capítulos de este manual de instrucciones contienen otras importantes indicaciones de seguridad.

#### 2.1 Uso conforme a lo previsto

El transmisor de presión convierte la presión en una señal eléctrica.

En aplicaciones con hidrógeno el uso está permitido únicamente cuando los medios y la temperatura ambiente no superan los 30 °C. Este transmisor de presión no es apto para aplicaciones que implican contacto directo con el medio.

El instrumento ha sido diseñado y construido únicamente para la finalidad aquí descrita y debe utilizarse en conformidad a la misma.

Cumplir las especificaciones técnicas de este manual de instrucciones. Un manejo no apropiado o una utilización del transmisor de presión no conforme a las especificaciones técnicas requiere la inmediata puesta fuera de servicio y la comprobación por parte de un técnico autorizado por WIKA.

No se admite ninguna reclamación debido a un manejo no adecuado.



## 2. Seguridad

### 2.2 Cualificación del personal

**¡ADVERTENCIA!****¡Riesgo de lesiones debido a una insuficiente cualificación!**

Un manejo no adecuado puede causar considerables daños personales y materiales.

Las actividades descritas en este manual de instrucciones deben realizarse únicamente por personal especializado con la consiguiente cualificación.

**Personal especializado**

Debido a su formación profesional, a sus conocimientos de la técnica de regulación y medición así como a su experiencia y su conocimiento de las normativas, normas y directivas vigentes en el país de utilización el personal especializado es capaz de ejecutar los trabajos descritos y reconocer posibles peligros por sí solo.

Algunas condiciones de uso específicas requieren conocimientos adicionales, p. ej. acerca de medios agresivos.

### 2.3 Riesgos específicos

**¡ADVERTENCIA!**

En el caso de sustancias peligrosas a medir, como p. ej. oxígeno, acetileno, sustancias inflamables o tóxicas, así como en instalaciones de refrigeración, compresores, etc., deben observarse en cada caso, además de todas las reglas generales, las disposiciones pertinentes.

**¡ADVERTENCIA!**

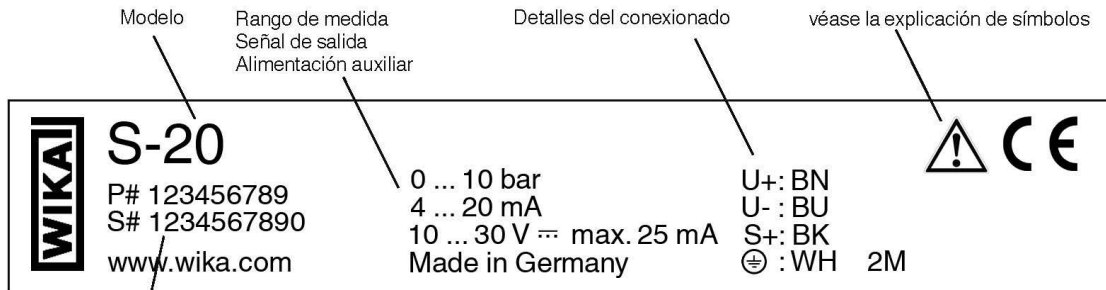
Medios residuales en transmisores de presión desmontados pueden causar riesgos para personas, medio ambiente e instalación.

Tomar adecuadas medidas de precaución.

## 2. Seguridad

### 2.4 Rótulos / Marcados de seguridad

#### Placa indicadora de modelo



P# Número de producto  
S# Número de serie

Si el número de serie queda ilegible por daños mecánicos o tras pintar por encima, ya no se puede mantener la trazabilidad.

#### Explicación de símbolos



**CE, Communauté Européenne**

Los instrumentos con este marcaje cumplen las directivas europeas aplicables.

### 3. Datos técnicos

### 3. Datos técnicos

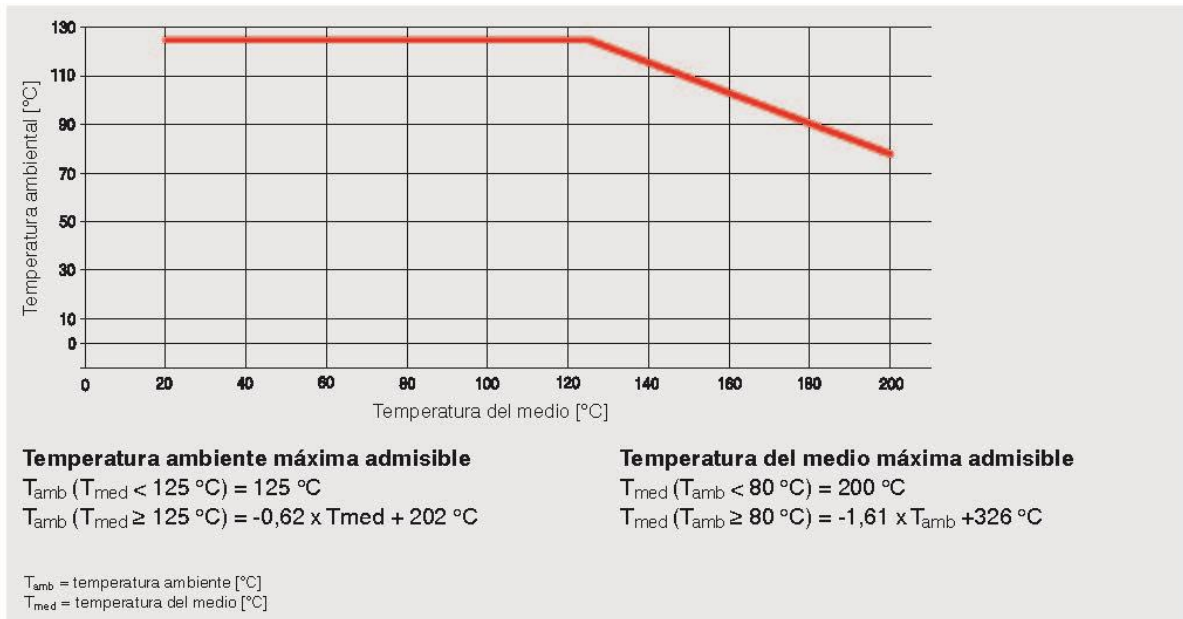
#### Rangos de temperatura admisibles

Medio	Ambiente	Versión
-30 ... +100 °C	-30 ... +100 °C	-
-40 ... +125 °C	-40 ... +125 °C	-
-40 ... +150 °C	-40 ... +125 °C <sup>1)</sup>	con torre de refrigeración
-40 ... +200 °C	-40 ... +125 °C <sup>1)</sup>	con torre de refrigeración
-20 ... +60 °C	-20 ... +60 °C	Versión para oxígeno

1) Curva de reducción de potencia y fórmula

E

Dependiendo de la elección de la junta en la conexión al proceso y de la conexión eléctrica, pueden producirse restricciones en la temperatura ambiente y del medio.



1-4043170.01.04/2013 GB/D/FE

## 3. Datos técnicos

Conexión eléctrica	Temperatura máxima admisible
Conector angular DIN 175301-803 A	-30 ... +100 °C
Conector angular DIN 175301-803 C	-30 ... +100 °C
Conector circular, M12 x 1 (4-pin)	-30 ... +100 °C
Conector circular, M12 x 1 (de 4 polos, metálico)	-40 ... +125 °C (dULus: +85 °C)
Conector tipo bayoneta (6-pin)	-40 ... +125 °C
Caja de campo	-25 ... +100 °C
Conector de alta resistencia	-40 ... +125 °C
Salida de cable IP 67	-30 ... +100 °C
Salida de cable ½ NPT conduit	-30 ... +100 °C (dULus: +90 °C)
Salida de cable IP 68	-30 ... +125 °C (dULus: +90 °C)
Salida de cable IP 68, FEP	-40 ... +125 °C (dULus: +105 °C)
Salida de cable IP 69K	-30 ... +125 °C (dULus: +90 °C)

E

### Clase climática

Almacenamiento: 1K3 (según EN 60721-3-1)

Transporte: 2K2 (según EN 60721-3-2)

Servicio: 4K4H (según EN 60721-3-4, sin condensación o formación de hielo)

### Resistencia a la vibración (según IEC 60068-2-6)

20 g, 10 ... 2.000 Hz, (40 g, 10 ... 2.000 Hz para conector de alta resistencia)

Para instrumentos con torre de refrigeración rige una restringida resistencia a las vibraciones de 10 g (10 ... 2.000 Hz)

### Resistencia a la vibración continua (según IEC 60068-2-6)

10 g

### Resistencia a choques (según 60068-2-27)

100 g, 6 ms (500 g, 1 ms para conector de alta resistencia)

### Prueba de caída libre (según IEC 60721-3-2)

Embalaje individual: 1,5 m

Embalaje múltiple: 0,5 m

Bolsa de PE: 0,5 m

## 3. Datos técnicos

### Resistencia al vacío

Sí

### Límite de presión de sobrecarga

El límite de sobrecarga de presión se basa en el elemento sensor aplicado. Dependiendo de la conexión al proceso escogida y de la junta, pueden producirse restricciones en la protección contra sobrecargas. Un límite de sobrecarga de presión superior tiene como consecuencia un mayor error de temperatura.

Rango de medida < 10 bar/150 psi	≥ 10 bar/150 psi
<b>3 veces (estándar)</b>	<b>2 veces <sup>1)</sup> (estándar)</b>
5 veces	3 veces <sup>2)3)</sup>

1) Restricción: más 60 bar/870 psi con presión absoluta

2) Solo posible para rangos de medida de presión relativa ≤ 400 bar ó 5.800 psi

3) Solo posible para rangos de medida de presión absoluta < 16 bar ó 220 psi

**E**

Conexión a proceso	Límite máximo de presión de sobrecarga
G 1/8 B	800 bar
G 1/4 B, rosca hembra G 1/4 B, G 3/8 B	1.400 bar
G 1/2 B	1.800 bar (1.4404), 3.200 bar (1.4542)
G 1/4 A, G 1/2 A, M14 x 1,5, M12 x 1,5	600 bar
M20 x 1,5	1.800 bar (1.4404) 3.300 bar (1.4542)
7/16-20 UNF BOSS	600 bar
7/16-20 UNF J514 cono obturador 74°	1.100 bar
9/16-18 UNF BOSS	600 bar
1/8 NPT	1.100 bar
1/4 NPT, 1/4 NPT rosca hembra	1.500 bar
1/2 NPT	1.500 bar (1.4404), 2.800 bar (1.4542)
PT 1/4	1.600 bar
PT 1/2	1.500 bar
PT 3/8	1.400 bar
R 1/4	1.600 bar
R 1/2	1.500 bar
R 3/8	1.400 bar (1.4404), 2.840 bar (1.4542)

Todas las conexiones al proceso en combinación con una torre de refrigeración tienen un límite máximo de sobrecarga de presión de 400 bar.

1-4043170.01 04/2013 GB/ID/FE

## 3. Datos técnicos

### Tipo de protección

Conexión eléctrica	Tipo de protección
Conector angular DIN 175301-803 A	IP 65
Conector angular DIN 175301-803 C	IP 65
Conector circular, M12 x 1 (4-pin)	IP 67
Conector circular, M12 x 1 (de 4 polos, metálico)	IP 67
Conector tipo bayoneta (6-pin)	IP 67
Caja de campo	IP 6k9k
Conector de alta resistencia	IP 68
Salida de cable IP 67	IP 67
Salida de cable ½ NPT conduit	IP 67
Salida de cable IP 68	IP 68
Salida de cable IP 68, FEP	IP 68
Salida de cable IP 6k9k	IP 6K9K

### Medidas de protección eléctrica

Las medidas de protección eléctrica no se aplican a señales de salida ratiométricas.

- Resistencia contra cortocircuitos: S<sub>+</sub> contra U<sub>-</sub>
- Protección contra polaridad inversa: U<sub>+</sub> contra U<sub>-</sub>
- Resistencia a sobretensiones: DC 40 V (cULus: DC 35 V)
- Tensión de aislamiento: CC 750 V, no apta como protección contra descargas eléctricas

### Conformidad CE

- Directiva CEM: 2004/108/CE, EN 61326 emisión (grupo 1, clase B) y resistencia a interferencias (ámbito industrial)
- Directiva de equipos a presión: 97/23/CE

### Campo electromagnético

30 V/m (80 ... 1.000 MHz)

### Conformidad RoHS

Conformidad RoHS



### 3. Datos técnicos / 4. Diseño y función

Observar las especificaciones en el albarán para números de tipos especiales, p. ej. S-20000.  
Para más datos técnicos véase la hoja técnica de WIKA PE 81.61 y la documentación de pedido.

### 4. Diseño y función

#### 4.1 Descripción

La presión actual se deduce mediante la deformación de la membrana en el elemento sensor. Con alimentación auxiliar, esta deformación de la membrana se transforma en una señal eléctrica. La señal de salida del transmisor de presión está amplificada y estandarizada. La señal de salida comportase proporcionalmente a la presión aplicada.

#### 4.2 Volumen de suministro

Comparar mediante el albarán si se han entregado todas las piezas.

**E**

## 5. Transporte, embalaje y almacenamiento

### 5. Transporte, embalaje y almacenamiento

#### 5.1 Transporte

Comprobar si el transmisor de presión presenta eventuales daños causados en el transporte.  
Notificar daños obvios de forma inmediata.

#### 5.2 Embalaje

No quitar el embalaje hasta justo antes del montaje.  
Guardar el embalaje ya que es la protección ideal durante el transporte (por ejemplo si el lugar de instalación cambia o si se envía el instrumento para posibles reparaciones).

#### E

#### 5.3 Almacenamiento

##### Condiciones admisibles en el lugar de almacenamiento:

- Temperatura de almacenamiento: -40 ... +70 °C
- Humedad: 67 % de humedad relativa (sin rocío)

##### Evitar lo siguiente:

- Luz solar directa o proximidad a objetos calientes
- Vibración mecánica, impacto mecánico (colocación brusca)
- Hollín, vapor, polvo y gases corrosivos
- Entorno húmedo o mojado
- Entorno potencialmente explosivo, atmósferas inflamables

Almacenar el transmisores de presión en su embalaje original en un lugar que cumple las condiciones arriba mencionadas.



##### ¡ADVERTENCIA!

Antes de almacenar el instrumento (después del funcionamiento), eliminar todos los restos de medios adheridos. Esto es especialmente importante cuando el medio es nocivo para la salud, como p. ej. cáustico, tóxico, cancerígeno, radioactivo, etc.

## 6. Puesta en servicio, funcionamiento

### 6. Puesta en servicio, funcionamiento

#### 6.1 Montaje mecánico

Utilizar únicamente accesorios originales. Para accesorios, véase la hoja técnica PE 81.61

##### 6.1.1 Sellar la conexión al proceso



**¡ADVERTENCIA!**

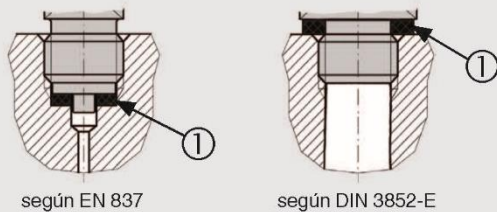
¡Riesgo de quemaduras!

La torre de refrigeración puede estar caliente debido al uso anterior. Dejarla enfriar previamente.

Las superficies de obturación en el instrumento y en el punto de medición deben estar libres de suciedad.

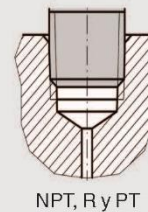
**E**

#### Roscas cilíndricas



Para el sellado de las conexiones al proceso con roscas cilíndricas en la superficie de obturación ① se deben instalar juntas planas, arandelas o juntas perfiladas WIKA.

#### Rosca cónica



Para sellar las conexiones a proceso de forma cónica, el sellado se realiza en la rosca con material suplementario, como por ejemplo, cinta PTFE (EN 837-2).

14043170.01 04/2013 GB/D/F/E



Para notas acerca de las juntas, véase la hoja técnica WIKA AC 09.08 o [www.wika.es](http://www.wika.es).

## 6. Puesta en servicio, funcionamiento

### 6.1.2 montaje del instrumento



#### ¡ADVERTENCIA!

¡Riesgo de quemaduras!

La torre de refrigeración puede estar caliente debido al uso anterior. Dejarla enfriar previamente.

- Para enroscar el instrumento debe utilizarse la herramienta adecuada, aplicando la fuerza necesaria no sobre la caja ni sobre el anillo de ajuste, sino sólo sobre la superficie prevista para introducir la llave de ajuste.

**E**

Si hay una torre de refrigeración deberá utilizarse el hexágono inferior para apretar (véase la figura "Montaje de la torre de refrigeración")

El par de giro correcto depende de la dimensión de la conexión así como de la junta utilizada (forma/material).

- No bloquear las vueltas de la rosca al enroscar.
- La torre de refrigeración no debe aislarse, para que pueda disipar calor.
- Si se monta el instrumento cabeza abajo debe asegurarse de que no se pueda acumular agua en la conexión eléctrica ni en el anillo de ajuste. El agua puede obturar la membrana de compensación de presión.



Las indicaciones sobre taladros para roscar y para soldar se detallan en nuestra información técnica IN 00.14 en [www.wika.es](http://www.wika.es).



**Modelo S-20 sin torre de refrigeración**



**Montaje torre de refrigeración**

## 6. Puesta en servicio, funcionamiento

### 6.2 Montaje eléctrico

Utilizar únicamente accesorios originales. Para accesorios, véase la hoja técnica PE 81.61



#### ¡ADVERTENCIA!

El blindaje del instrumento no sirve como conductor protector para personas, sino como puesta a tierra funcional para proteger al dispositivo de campos electromagnéticos.

#### 6.2.1 Confección de la conexión

- En instrumentos con señal de salida ratiométrica debe emplearse un cable blindado. Conectar a tierra el blindaje del cable, cuando éste tenga una longitud superior a 30 m o salga del edificio.
- Utilizar un cable con características adecuadas para las correspondientes condiciones de uso.
- Para las salidas de cable debe colocarse una descarga de tracción.
- Los cables con tubito de purga deben purgarse hacia la atmósfera.
- Poner a tierra el instrumento través de la conexión.
- Seleccionar el correcto diámetro de cable para la entrada de cable del conector. Prestar atención a que el prensaestopas del conector montado esté correctamente fijado y que las juntas estén presentes y no dañadas. Apretar el prensaestopas y comprobar si las juntas están fijadas bien para garantizar el tipo de protección.
- Asegurarse de que no penetre humedad en las salidas en el extremo del cable.

**E**

#### Información para confección de los conectores hembra

Conectores hembra para conexión eléctrica	Sección de hilo	Diámetro de cable
Conector angular DIN 175301-803 A	máx. 1,5 mm <sup>2</sup>	6 ... 8 mm
Conector angular DIN 175301-803 C	máx. 0,75 mm <sup>2</sup>	4,5 ... 6 mm

#### 6.2.2 Detalles del conexionado

Conector circular, M12 x 1 (4-pin)	2 hilos		3 hilos	
		U <sub>+</sub>	1	U <sub>-</sub>
	S <sub>+</sub>	-	S <sub>+</sub>	4
	Blindaje	Caja	Blindaje	Caja

Conector de alta resistencia	2 hilos		3 hilos	
		U <sub>+</sub>	1	U <sub>-</sub>
	S <sub>+</sub>	-	S <sub>+</sub>	3
	Blindaje	Caja	Blindaje	Caja

14043170.01 04/2013 GB/D/F/E



## 6. Puesta en servicio, funcionamiento

Salida de cable (código de EE.UU.)		2 hilos	3 hilos
	U+	rojo (RD)	rojo (RD)
	U-	negro (BK)	negro (BK)
	S+	-	blanco (WH)
	Blindaje	gris (GY)	gris (GY)

Caja de campo		2 hilos	3 hilos
	U+	1	1
	U-	2	2
	S+	-	3
	Blindaje	5	5

Salida de cable incl. conector hembra con cable moldeado		2 hilos	3 hilos
	U+	marrón (BN)	marrón (BN)
	U-	azul (BU)	azul (BU)
	S+	-	negro (BK)
	Blindaje	gris (GY)	gris (GY)

Conector tipo bayoneta (6-pin)		2 hilos	3 hilos
	U+	A	A
	U-	B	B
	S+	-	C
	Blindaje	Caja	Caja

Conector angular DIN 175301-803 A		2 hilos	3 hilos
	U+	1	1
	U-	2	2
	S+	-	3
	Blindaje	4	4

Conector angular DIN 175301-803 C		2 hilos	3 hilos
	U+	1	1
	U-	2	2
	S+	-	3
	Blindaje	4	4

### 6.2.3 Establecer la alimentación de corriente

La alimentación de corriente se efectúa mediante dispositivos de alimentación o control que cuentan con una limitación de energía.

Utilizar un circuito eléctrico con límite de energía según el párrafo 9.3 de UL/EN/IEC 61010-1 o LPS según UL/EN/IEC 60950-1 o Clase 2 según UL1310/UL1585 (NEC o CEC) para alimentar el transmisor de presión. La alimentación eléctrica debe ser adecuada a alturas superiores a 2.000 metros si se quiere utilizar el transmisor de presión a partir de esas alturas.



## 6. Puesta en servicio, funcionamiento

La alimentación auxiliar permitida depende de la correspondiente señal de salida.  
Para homologación cULus: máx. DC 35 V (DC 32 V para conector de alta resistencia)

Señal de salida	Alimentación auxiliar
4 ... 20 mA	DC 8 ... 36 V (DC 12 ... 36 V para tiempo de cebado opcional de 1 ms)
20 ... 4 mA	DC 8 ... 36 V
DC 0 ... 10 V	DC 12 ... 36 V
DC 0 ... 5 V	DC 8 ... 36 V
DC 1 ... 5 V	DC 8 ... 36 V
DC 0,5 ... 4,5 V	DC 8 ... 36 V
DC 1 ... 6 V	DC 9 ... 36 V
DC 10 ... 0 V	DC 12 ... 36 V
DC 0,5 ... 4,5 V	DC 5 V ±10 %

**E**

Señal de salida	Carga en $\Omega$
Salida de corriente	$\leq (\text{alimentación auxiliar} - 7,5 \text{ V}) / 0,023 \text{ A}$ $\leq (\text{energía auxiliar} - 11,5 \text{ V}) / 0,023 \text{ A}$ (para tiempo de cebado opcional de 1 ms)
Tensión de alimentación	$> \text{tensión máxima de salida} / 1 \text{ mA}$
Salida ratiométrica	$> 4,5 \text{ k}\Omega$

### Pérdida de potencia

- Salida de corriente: 828 mW (22 mW/K incidencia de la reducción de potencia sobre la pérdida de potencia a temperaturas ambiente  $\geq 100 \text{ }^\circ\text{C}$ )
- Tensión de alimentación: 432 mW

### Consumo de corriente

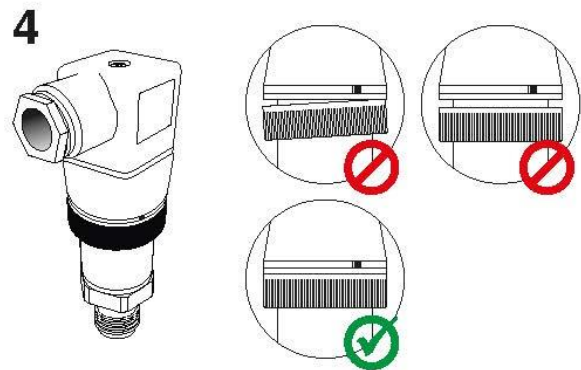
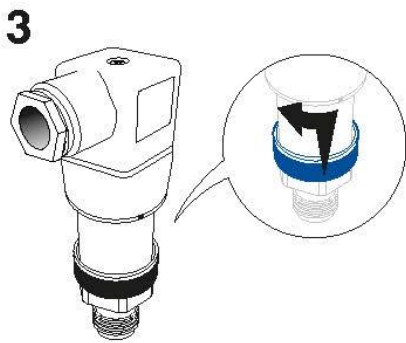
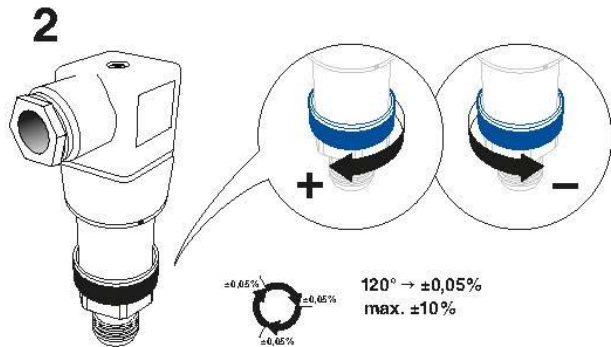
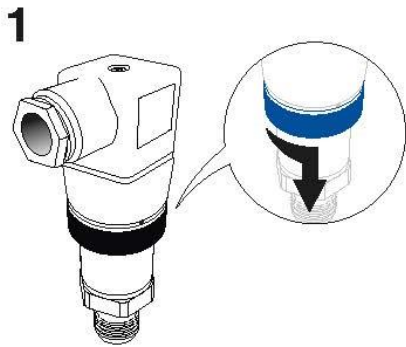
- Salida de corriente: Señal de corriente, máx. 25 mA
- Tensión de alimentación: máx. 12 mA

1-4043170.01.04/2013 GB/ID/FE

7. Ajuste del punto cero

7. Ajuste del punto cero

E



## 8. Mantenimiento y limpieza

### 8. Mantenimiento y limpieza

#### 8.1 Mantenimiento

Este transmisor de presión no precisa mantenimiento.  
Todas las reparaciones solamente las debe efectuar el fabricante.

#### 8.2 Limpieza



##### ¡CUIDADO!

- Antes de proceder con la limpieza hay que separar debidamente el transmisor de presión de cualquier fuente de presión, desactivarlo y desconectarlo del suministro de corriente la red.
- Limpiar el instrumento con un trapo húmedo.
- Una vez desmontado el instrumento se debe enjuagar y limpiar antes de devolverlo para proteger a las personas y el medio ambiente contra residuos del medio de medición.
- Medios residuales en instrumentos desmontados pueden causar riesgos para personas, medio ambiente e instalación. Tomar adecuadas medidas de precaución.
- No utilizar ningún objeto puntiagudo o duro para efectuar la limpieza, para evitar cualquier daño de la membrana de la conexión al proceso.

**E**

Véase el capítulo 10.2 "Devolución" para obtener más información acerca de la devolución del instrumento.

#### 8.3 Recalibración

##### **Certificado DKD/DAkKS - certificados oficiales:**

Si el instrumento se utiliza para aplicaciones con hidrógeno, se requiere una recalibración al cabo de 6 meses. En caso necesario, se corrigen los ajustes básicos.

1-4043170.01.04/2013 GB/ID/FE

## 9. Errores

### 9. Errores

En caso de averías, comprobar en primer lugar la conexión mecánica y eléctrica.

Errores	Causas	Medidas
El plástico está descolorido	Irradiación UV	No se requieren medidas La decoloración es irrelevante
Ninguna señal de salida	Cable roto	Comprobar el paso; en caso necesario reemplazar el cable
	Alimentación auxiliar errónea/ausente	Corregir la corriente auxiliar
Señal de salida ausente/errónea	Error de cableado	Corregir el cableado
La señal de salida no cambia cuando cambia la presión	Sobrecarga mecánica por sobrepresión	Sustituir el instrumento, consultar al fabricante si falla repetidas veces
Alcance de señal demasiado pequeño/cae	Sobrecarga mecánica por sobrepresión	Sustituir el instrumento, consultar al fabricante si falla repetidas veces
	Daños de membrana, p. Ej. debido a golpes, medio abrasivo o agresivo, corrosión, etc. en la membrana o la conexión; falta medio de transmisión	Sustituir el instrumento, consultar al fabricante si falla repetidas veces
	Limpiar la junta/superficie dañada o sucia, la junta no asienta correctamente, vueltas de rosca torcidas	Limpiar la junta/superficie de sellado; reemplazar la junta en caso necesario
Span de señal oscilante/impreciso	Fuentes de interferencias CEM en el entorno, p. ej. convertidor de frecuencia	Blindar el instrumento; blindaje del cable; quitar la fuente de interferencias
	Temperaturas de uso excesivas/insuficientes	Disminuir/aumentar la temperatura
	Instrumento no conectado a tierra	Conectar a tierra el instrumento
	Presión del medio de proceso fuertemente ciclante	Amortiguación; asesoramiento por parte del fabricante
Desviación de señal de punto cero	Temperaturas de uso excesivas/insuficientes	Disminuir/aumentar la temperatura
	Posición de montaje diferente	Corregir punto cero
	Límite de presión de sobrecarga excedido	Disminuir la presión

En caso de reclamar una garantía sin que ésta esté justificada, facturaremos los gastos de tramitación de la reclamación.

## 9. Errores / 10. Desmontaje, devolución y eliminación



### ¡CUIDADO!

Si no es posible eliminar los errores mediante las medidas arriba mencionadas, poner inmediatamente el instrumento fuera de servicio; asegurarse de que ya no esté sometido a ninguna presión o señal y proteger el instrumento contra una puesta en servicio accidental o errónea. En este caso ponerse en contacto con el fabricante. Si desea devolver el instrumento, observar las indicaciones en el capítulo 10.2 "Devolución".

## 10. Desmontaje, devolución y eliminación de residuos



### ¡ADVERTENCIA!

Medios residuales en transmisores de presión desmontados pueden causar riesgos para personas, medio ambiente e instalación. Tomar adecuadas medidas de precaución.

**E**

### 10.1 Desmontaje



### ¡ADVERTENCIA!

¡Riesgo de quemaduras!

¡Dejar enfriar el instrumento lo suficiente antes de desmontarlo!

Peligro debido a medios muy calientes que se escapan durante el desmontaje.

Para desmontar el instrumento debe utilizarse la herramienta adecuada, aplicando la fuerza necesaria no sobre la caja ni sobre el anillo de ajuste, sino sólo sobre la superficie prevista para introducir la llave de ajuste (véase el capítulo 6.1.2 "Montaje del instrumento")

Si hay una torre de refrigeración deberá utilizarse el hexágono inferior para desenroscar (véase el capítulo 6.1.2 "Montaje del instrumento")

¡Desmontar los instrumentos sólo si no están sometidos a presión!

## 10. Desmontaje, devolución y eliminación de residuos

### 10.2 Devolución



#### ¡ADVERTENCIA!

**Es imprescindible observar lo siguiente para el envío del instrumento:**

Todos los transmisores de presión enviados a WIKA deben estar libres de sustancias peligrosas (ácidos, lejías, soluciones, etc.).

Utilizar el embalaje original o un embalaje adecuado para la devolución del instrumento.

A fin de evitar daños, aplicar un marcado indicador de que se trata del transporte de un instrumento de medición altamente sensible.

**E**

Comentarios sobre el procedimiento de las devoluciones encuentra en el apartado "Servicio" en nuestra página web local.


### 10.3 Eliminación de residuos

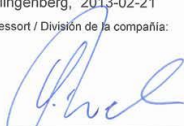

Una eliminación incorrecta puede provocar peligros para el medio ambiente.

Eliminar los componentes de los instrumentos y los materiales de embalaje conforme a los reglamentos relativos al tratamiento de residuos y eliminación vigentes en el país de utilización.



## Anexo 1: Declaración CE de conformidad modelo S-20



<p style="text-align: center;"><b>Déclaration de Conformité CE</b></p> <p style="text-align: center;"><b>Document No.:</b> 14065647.01</p> <p>Nous déclarons sous notre seule responsabilité que les appareils marqués CE</p> <p><b>Type:</b> S-20</p> <p><b>Description:</b> <b>Transmetteur de pression Haute qualité pour applications industrielles générales</b> selon fiche technique valide: PE 81.61</p> <p>sont conformes aux exigences essentielles de sécurité de la (les) directive(s): 97/23/CE (DESP)<sup>(1)</sup> 2004/108/CE (CEM)</p> <p>Les appareils ont été vérifiés suivant les normes: EN 61326-1:2006 EN 61326-2-3:2006</p> <p>(1) PS &gt; 200 bar; Module A, accessoires sous pression</p> <p>Signé à l'intention et au nom de / Firmado en nombre y por cuenta de <b>WIKAL Alexander Wiegand SE &amp; Co. KG</b> Klingenberg, 2013-02-21 Ressort / División de la compañía: TRONIC</p> <p> Stefan Richter Signature, autorisée par l'entreprise / Firma autorizada por el emisor</p>	<p style="text-align: center;"><b>Declaración de Conformidad CE</b></p> <p style="text-align: center;"><b>Documento Nº:</b> 14065647.01</p> <p>Declaramos bajo nuestra sola responsabilidad, que los equipos marcados CE</p> <p><b>Modelo:</b> S-20</p> <p><b>Descripción:</b> <b>Transmisor de presión de alta calidad para aplicaciones industriales generales</b> según ficha técnica en vigor: PE 81.61</p> <p>cumplen con los requerimientos esenciales de seguridad de las Directivas: 97/23/CE (DEP)<sup>(1)</sup> 2004/108/CE (CEM)</p> <p>Los dispositivos han sido verificados de acuerdo a las normas: EN 61326-1:2006 EN 61326-2-3:2006</p> <p>(1) PS &gt; 200 bar; Módulo A, accesorios a presión</p> <p>Management de la qualité / Gestión de calidad: TRONIC</p> <p> Steffen Schlesiona</p>
---	--

14043170.01 04/2013 GB/D/F/E

**E**

**Gilt für folgende Artikel**

**Druckmessumformer, Nichtlinearität 0,25 %**

Artikel Nr.

Typen Nr.

102726 bis 102740

897.0 bis 897.600